

## PROBLEM SOLVING

- Kettle switches OFF before it has boiled.
- Generally caused by scale build up inside, and can be resolved by descaling.
- Alternately, the kettle may have accidentally been used without water or insufficient water, causing the safety cut-out device to operate. Re-set as explained below.
- Re-setting the boil dry safety cut-out
- Wait 5 minutes for the kettle to cool, and then refill with cool water. Push the ON/OFF switch, and after about 25 minutes the kettle will automatically re-set itself, and start to boil.
- Kettle does not work
- Check the power supply is switched ON at the wall socket.
- If the kettle has boiled dry the safety cut-out will have operated (see paragraph above)
- Water has a plastic taste
- Generally this only occurs after the first use, and is not a problem if the water boiled on the initial use is discarded as recommended in the section 'Using Your Kettle'. If the problem persists, fill the kettle to the MAX level, and add 2 teaspoons of bicarbonate of soda. Boil and discard the water.
- Kettle forms scale inside and/or water turns cloudy.
- If you live in hard water area this is normal, and is caused by calcium and magnesium carbonates in the water, and therefore regular descaling will be essential. If you wish to find out more about the type of water in your area, your local water company can give you advice.

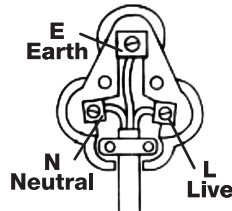
Should the supply cord get damaged, it must be replaced by the manufacturer or its service agents in order to avoid a hazard. If service becomes necessary within the warranty period, the appliance should be returned to an approved Amalgamated Appliances Pty Ltd Service Centre. Servicing outside the warranty period is still available but this will be chargeable.

## CHANGING THE FITTED/MOULDED PLUG

Should the need arise to change the fitted/moulded plug, follow these instructions:

Mains (AC) Operation. This unit is designed to operate on 230V current only. Connecting to other power sources may damage the unit.

Connect three-pin plug as follows:  
The wires in this mainslead are coloured in accordance with the following code:  
Green/Yellow = Earth  
Blue = Neutral  
Brown = Live



## SERVICE

There are no user serviceable parts in this appliance. If the appliance is not operating correctly, please check that:

1. You have followed the instructions correctly.
2. The unit has been wired correctly and the wall socket is switched on.
3. The mains power supply is ON.

If the appliance still does not work:

In the first instance, consult your retailer for possible repair or replacement. If your retailer fails to solve your problem and you need to return the appliance, make sure that:

1. The unit is packed carefully, complete in its original packaging.
2. Proof of purchase is attached.
3. Give the reason why you are returning it.

If service becomes necessary within the warranty period the appliance should be returned to an approved Amalgamated Appliances (Pty) Ltd Service Centre. Servicing outside the warranty period is still available, however it will be chargeable.

PLEASE AFFIX YOUR PROOF OF PURCHASE/RECEIPT HERE.  
IN THE EVENT OF A CLAIM UNDER WARRANTY,  
THIS RECEIPT MUST BE PRODUCED.

## WARRANTY

Amalgamated Appliances (Pty) Limited ("the Supplier") warrants to the original purchaser of this product ("the Customer") that this product will be free of defects in material and workmanship which under normal, personal, family or household purpose manifest themselves within a period of 365 days from the date of purchase or in respect of commercial or professional purposes, manifest themselves within a period of 90 days from the date of purchase. Any claim in terms of the warranty must be supported by a proof of purchase. If such proof is not available, then notwithstanding anything to the contrary herein, the Supplier's normal charge for service and/or spares will be payable by the Customer upon collection of the repaired product. If a claim is made in terms of the aforesaid warranty within the first 7 days from the date of purchase, the faulty product will be exchanged (provided that the product is in its original packaging with all accessories). Failing return of the product within 7 days, the Supplier's liability shall be limited on return to the Supplier of the product or parts thereof, to the replacement or repair (in the sole discretion of the Supplier, or its duly authorised service dealer) of the product to eliminate any defect in workmanship or materials found to be due exclusively to any acts or omissions on the parts of the Suppliers, of which defects the Supplier shall have been notified in writing by the Customer within the aforesaid warranty period. The warranty provided herein and the obligations of the Supplier as aforesaid are in lieu of, and the Customer waives, all other warranties, guarantees, conditions or liabilities, express or implied, arising by law or otherwise, including without limitation, any obligation of the Supplier in respect of any injury, loss or damage (direct, indirect or consequential) arising out of the use of, or inability to use, this product and whether or not occasioned by the Supplier's negligence (gross or otherwise) or any act or omission on its part. The warranty does not include and will not be construed to cover products damaged as a result of disaster, misuse, abuse or any non-authorized modification of the product. The warranty does not include replacement of light bulbs, heater bars, paper bags or any glass, plastic bowl or jug or other expendables. During the warranty period the product should be taken to a service centre of the Supplier or one of its duly authorised service agents. The Supplier neither assumes nor authorises any other person to assume for it, any additional liability in connection with the sale or servicing of its products.

## AMALGAMATED APPLIANCES (PTY) LTD

29 HERONMERE ROAD  
BOOYSENS 2016  
TEL: +27 (11) 490-9000

PO BOX 39186  
BOOYSENS 2016  
FACSIMILE: +27 (11) 490-9399

CAPE TOWN  
DURBAN

TEL: (031) 792 6000

Win prizes on line: [www.russellhobbs.co.za](http://www.russellhobbs.co.za)

S10106AA

Concorde Printing: (031) 701 3687



**Russell Hobbs®**  
INSTRUCTIONS/WARRANTY



TEL: (021) 405 2000  
MODEL: 10585  
360° CORDLESS KETTLE

## INTRODUCTION

Thank you for purchasing our Russell Hobbs 360° Cordless Kettle – Model 10585. Each unit has been manufactured to ensure safety, reliability, and ease of use. Before first use, please read these instructions carefully, and keep them for further reference.

## IMPORTANT SAFEGUARDS

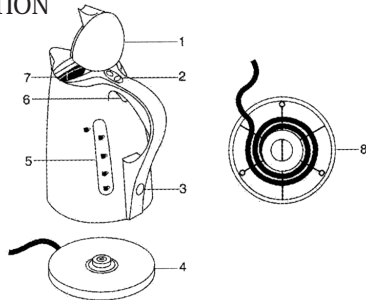
When using your Russell Hobbs 10585 - 360° Cordless Kettle, basic precautions should always be followed including the following:

- Make sure the power used, corresponds to the one indicated on the rating label.
- Use the cordless kettle only for needed use as described in the instruction manual.
- Do not open lid when the water is boiling.
- Never put the kettle near or on cooker hotplates or gas burner.
- Never fill above the “MAX” mark, and always place enough water to cover the element.
- Do not cover.
- Do not immerse unit, plug or cord in water or allow for liquid to come into contact with any part of the kettle.
- Close supervision is necessary when any appliance is used by or near children.
- Operate the kettle on a smooth level surface.
- Never operate the kettle with a damaged power cord or plug, or after it has fallen or been damaged in any way.
- Do not use outdoors.
- Do not let cord touch hot surfaces.
- To disconnect, grip plug, and pull from wall outlet. Never pull on the cord.
- Do not try to cover, extend or stretch the mains cable.
- Never attempt to open any part or dismantle the controls. Responsibility for failure cannot be accepted if this instruction has been ignored.
- This product is intended for household use only. Industrial or commercial use invalidates the warranty.
- Use only original base provided.
- To reduce the risk of electrical hazards, it is recommended not to use an extension cord or a plug adaptor.

SAVE THESE INSTRUCTIONS. THIS APPLIANCE IS FOR HOUSEHOLD USE ONLY.

## PARTS NAME AND LOCATION

1. Flip-top lid
2. ON/OFF Switch
3. Neon light indicator
4. 360° power base
5. Water level indicator
6. Trigger release lid
7. Mesh filter
8. Cord storage



## USING YOUR KETTLE

Before first use please follow these instructions:

Remove the kettle and all the accessories from the carton. It is recommended to keep the box and protective packaging until such time as you are satisfied that the kettle is in good working order.

REMEMBER: NOT TO LEAVE PROTECTIVE PACKAGING LYING AROUND, AS IT COULD BE DANGEROUS AROUND INFANTS.

- Place the kettle on a dry, smooth level surface, and adjust the cord to the desired length.
- Fill the kettle to the ‘MAX’ level and boil. Discard the water and repeat this twice.

## POSITION

Place the power base on a stable, level surface. Arrange the power supply cable so it doesn't overhang and can't be caught or tripped over.

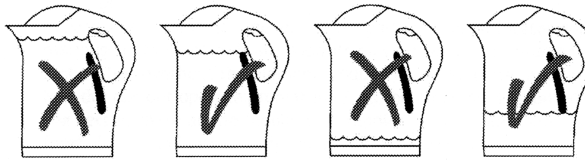
## FILLING

NOTE: Keep clear of waterspout during boiling, as steam will escape from the lid.

1. Fill it through the spout or lid. To open the lid, simply press the trigger release, part 6, on the top of the handle.
  - a. The water must be between ‘MAX’ and 400ml (2 cups)
  - b. Be economical, do not boil more water than is needed.
  - c. To improve the quality of your drinks always use fresh water.

NOTE: Using purified or mineral water will extend the life of your kettle by reducing lime and scale build up.

2. Ensure the lid is closed properly otherwise the kettle might not switch OFF when it boils.
3. Plug the power base into the wall socket and if necessary switch the socket ON.
4. With the kettle positioned properly on the base, switch kettle ON by pressing the knob at the top of the handle part. 2
5. Your kettle will reach boiling point and switch OFF automatically. To re-boil, simply wait a few seconds then re-set the ON/OFF button.



NOTE: Never overfill kettle with water, as this may prevent the kettle from switching OFF and cause water to overflow from the spout.

6. To switch the kettle OFF manually, simply press the control switch at the top of handle. Part. 2

## GENERAL

Remove the kettle from the power base before pouring.

To avoid the risk of splashing, pour slowly and don't over-tilt the kettle. Don't tilt the kettle backwards; water might get onto the control area. If this happens, let the kettle dry before use – sit it somewhere warm for 12 hours. When you lift the kettle, you may see moisture on the power base. Don't worry – it's the steam used to switch the kettle OFF automatically, which then condenses and escapes via the vents under the kettle. You may see some discoloration at the base of the kettle. Again, don't worry – this is due to the bounding of the element to the bottom of the kettle.

## INSUFFICIENT WATER – BOIL DRY PROTECTION

Insufficient water will shorten the life span of the element. A safety boil-dry/cut-out device will switch the kettle OFF automatically. Should the kettle be accidentally switched ON without any water, or without sufficient water to cover the element, or be allowed to boil dry, the cut-out device should be activated. Allow your kettle to cool for a 25 minutes before refilling, to permit this device to re-set. Place the kettle on a dry work surface until it is cold. Don't fill it unless is its cold, or it may splatter.

## CARE & MAINTENANCE

- Always unplug the kettle at the mains, and leave to cool before cleaning.
- Clean the outside with a damp cloth, and buff with a dry cloth. DO NOT USE SCOURING POWDER, OR ANY OTHER CLEANING PRODUCTS AS THEY MAY DISCOLOUR YOUR KETTLE.
- Keep all connectors and sockets dry. Do not put kettle of power base in any liquid.
- In hard water areas, it is necessary to remove scale and water deposit markings in the kettle. Scale deposits may be white, coloured or even rusty. They overheat the element, reduce its working life, and make the

boil-dry cut-out operate prematurely. As the element is mounted under the kettle, there are no 'nooks and crannies' to give the scale a foothold. It can build up only where it can be seen and dealt with.

- There are various kettle cleaners/kettle descalers, that remove scaling and markings, which are available from supermarkets, chemists and other stores.

## MINIMISE SCALE BUILD-UP

Scale deposits may be white, colored, or even rusty. They overheat the element, reduce its working life, and make the boil-dry cut-out operate prematurely. As the element is mounted under the kettle, there are no nooks and crannies to give the scale a foothold. It can build up only where is can be seen and dealt with.

Rinse the kettle with clean water and wipe its walls if you see scale in the kettle, or a film on the water. Empty the kettle after use. Descale frequently – how often depends on the frequency of use and the water condition in your area. Use a descaler suitable for use in plastic products (even metal kettles have plastic parts). Follow the instructions on the descaler, rinse several times, then fill, boil and discard the water, to ensure no residues are left.

NOTE: Products returned under warranty which are faulty due to scaling will be subject to a repair charge.

WE HIGHLY RECOMMEND YOU USE PURIFIED OR MINERAL WATER, AS THIS WILL DRASTICALLY EXTEND THE LIFE SPAN OF YOUR KETTLE.

Discolouration of the internal part of the kettle due to water conditions in your area will not be regarded as a malfunction. It is recommended to clean your kettle regularly.

NOTE: When using powdered descaler or citric acid, always add water. Never use in an empty kettle

## WATER FILTER

Scale particles suspended in the water may give it a cloudy or greasy appearance. The filter will prevent these particles going into drink. If you see deposits on the filter, clean it, otherwise the performance of your kettle will drop, your drinks may contain scale, and the water inside the kettle may look cloudy.

## CLEANING THE FILTER

1. Check your hands are free from soap, or anything, which might leave a taint.
2. Switch the kettle OFF (press the switch), and let is cool down fully.
3. Press the lid release trigger Part.1.
4. Grip the top of the filter and pull it up out of its grooves. Part. 2.
5. Either brush it lightly with a soft brush, under running water or when descaling your kettle, drop the filter in too. Rinse thoroughly before use.
6. Rinse the kettle; in case of any scale, particles have fallen inside.
7. To replace, simply slide the filter back down the grooves on either side of the spout, inside the kettle. Part. 3.
8. Close the lid. Fill with water and resume regular use.

