



# Russell Hobbs

## INSTRUCTIONS AND WARRANTY



**MODEL 13619**

**RUSSELL HOBBS 1.7L SATIN SMOOTHIE MAKER**

Congratulations on purchasing our Russell Hobbs 1.7L Satin Smoothie Maker. Each unit is manufactured to ensure safety and reliability. Before use, please read the instructions carefully and keep it for future reference.

## **FEATURES OF THE RUSSELL HOBBS 1.7L SATIN SMOOTHIE MAKER**

- Powerful 500W motor
- 1.7L glass jug
- 2 speed settings plus pulse function
- Pulse function for increased control when processing
- Cup activated pouring dispenser
- Quick and easy use without the mess
- Stainless steel blades
- Detachable blade assembly for easy cleaning
- Easy assembly and dis-assembly
- Safety lock mechanism
- Ideal for crushing ice, smoothies, cocktails, salsa's, dips, soups, sauces and much more
- Stirrer for easy mixing
- Removable filter cap for easy filling
- Dishwasher safe parts
- Non-slip feet for added stability
- Recipes included
- For domestic use only
- 1 year warranty

## **IMPORTANT SAFEGUARDS**

When using any electrical appliance, basic safety precautions should always be followed including the following:

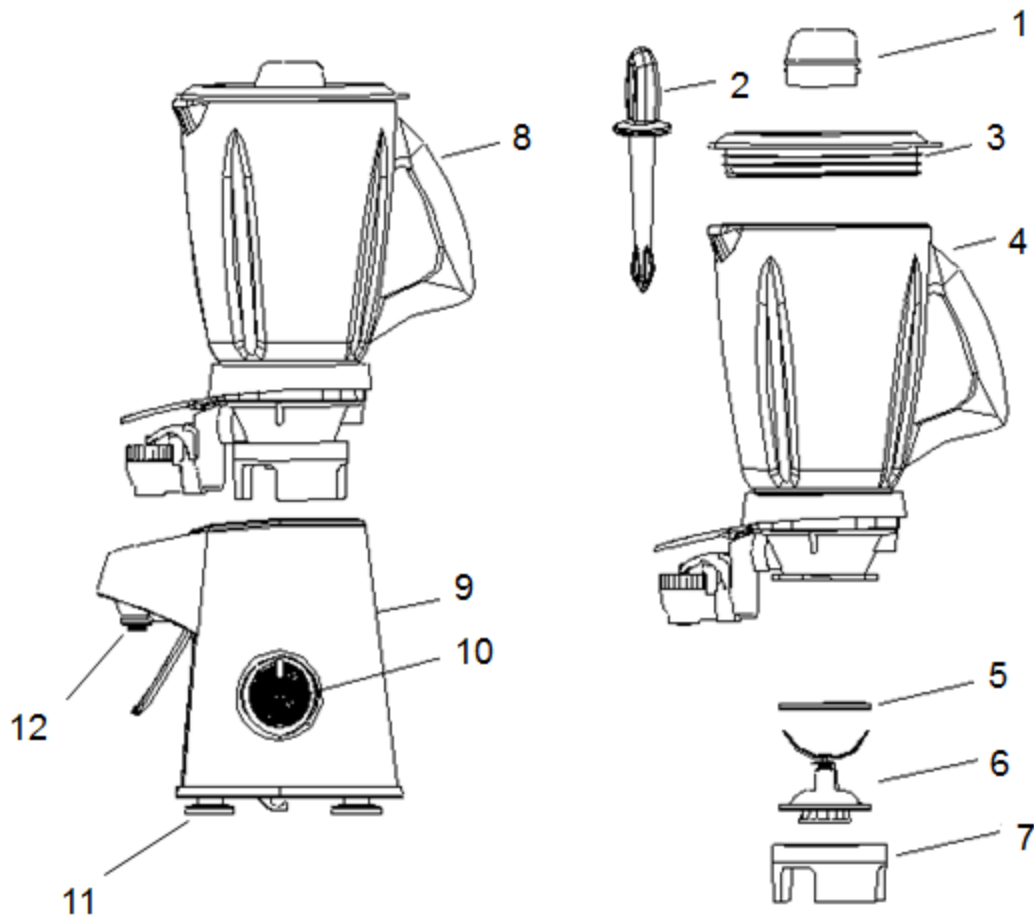
1. This smoothie maker must only be used by a responsible adult.
2. Do not put the base unit in liquid – do not use it in a bathroom, near water, or outdoors.



3. Unplug before dismantling or cleaning.
4. Do not use the smoothie maker unless the lid is in place.
5. Do not fill with anything hotter than you can comfortably handle (i.e. liquid temperature below 40°C).
6. When blending hot liquids, put a hand on the lid to hold it in place.
7. Do not put your hand into the jug, even after you have removed it from the base unit – the blades are sharp.
8. Do not put any element (spoon, spatula, etc.), other than the stirrer, into the jug while the smoothie maker is plugged in.
9. Do not leave the smoothie maker unattended while plugged in.
10. Place the base unit on a dry, firm, level surface, near an electrical socket.
11. Route the cable so it does not overhang, and cannot be tripped over or caught.
12. Do not let the jug overflow. If liquid gets under the motor unit, it may be sucked into the motor, damaging it.
13. Do not fill the jug above the 1.7L mark – if you do, the contents may force the lid off when you start the motor.
14. Do not run the motor for more than three minutes at a time - leave it for a minute to cool down before using it again.
15. Do not run the smoothie maker empty, it may overheat.
16. Keep the smoothie maker and the cable away from hotplates, hobs or burners.
17. Do not fit any attachment or accessory other than those we supply.
18. Do not use the smoothie maker for any purpose other than those described in these instructions.
19. Do not operate the smoothie maker if it is damaged or malfunctions.
20. If the cable is damaged, the smoothie maker must be returned, in order to avoid hazard.



## PARTS DIAGRAM



- |                           |                                     |
|---------------------------|-------------------------------------|
| 1. Removable cup          | 7. Lockable blade assembly          |
| 2. Stirrer                | 8. Handle                           |
| 3. Lid                    | 9. Base unit                        |
| 4. 1.7L glass jug         | 10. Control knob                    |
| 5. Sealing ring           | 11. Non-slip feet                   |
| 6. Stainless steel blades | 12. Cup activated pouring dispenser |

## BEFORE FIRST USE

- Before using the unit for the first time, remove any packaging material and carefully clean the smoothie maker in warm, soapy water - rinse and dry.
- Please follow the instructions outlined on “General Cleaning & Maintenance”

## ASSEMBLY OF THE GLASS JUG

1. Put the sealing ring (5) on the inner edge of the blade unit.

2. Mount the lockable blade assembly (7) onto the base unit ( ) and turn the lockable blade assembly in a clockwise direction until it is fixed.
3. Pour the ingredients in the jug, fix the lid (3) onto the jug by pressing it down.
4. Insert the removable filter cup (1) onto the opening of the lid, turn it in a clockwise direction until it is locked.

## **INSERTING THE GLASS JUG**

1. Make sure the unit is switched off.
2. Carefully place the glass jug onto the base unit.

## **FITTING THE LID AND CAP**

1. Place the lid on the jug, and press it down.
2. Do not use the smoothie maker without fitting the lid. The contents may escape and you may hurt yourself.
3. The cap fits into the hole in the lid. Generally, use the cap if you're using the smoothie maker as a blender, otherwise use the stirrer if you're making drinks or smoothies.
4. If you're making mayonnaise, you can fit the cap upside down, and pour oil into the mix through the small hole in the cap.

## **USAGE**

1. Sit the motor unit on a dry, firm, level surface, near a power socket.
2. Route the cable so it doesn't overhang, and cannot do not be tripped over or caught.
3. Put the plug into the power socket
4. Place the foodstuff you wish to blend into the glass jug
5. Put the lid on the glass jug and close securely. Place the removable filter cup into the hole in the lid and turn it clockwise to lock.
6. Switch on the base unit.

Speed setting	Use
Low (1)	Light usage with liquids
High (2)	Solid consistency – mixing liquids and solid foodstuffs
P setting	Ice crushing and short, powerful impulse movements. <b>Note: the switch does not permanently engage in the “P” setting, you have to hold the switch in the “P” setting or turn it repeatedly into the “P” setting. After using the blender, always move the switch into the “0” setting and pull the cord out of the mains plug.</b>

- It is recommended that this product should not exceed three minutes in operation and to allow one minute intervals between uses. This prevents the base unit from becoming too hot and thus damaging the unit.

## USING THE STIRRER

- If you are making drinks or smoothies, instead of fitting the cap, drop the long end of the stirrer into the hole.
- If solid ingredients are not getting down to the blades, give them a poke with the stirrer to chivy them along.
- Rolling the stirrer anti-clockwise (the opposite way to the blades), against the jug wall, will help with thicker mixtures.
- Do not bash it against the wall of the jug.
- Do not run the smoothie maker without fitting the cap or the stirrer - otherwise solid ingredients may be ejected through the hole when they hit the blades.

## ADDING INGREDIENTS

- To add ingredients while the smoothie maker is in operation.
  - Cap - lift the cap off, pour/drop the new ingredients through the hole, then replace the cap in the hole.
  - Stirrer - lift the stirrer out of the hole, scrape it against the side of the hole on the way out, to remove drips, and then pour/drop the new ingredients through the hole, and replace the stirrer in the hole.
- Check that the added ingredients do not push the volume in the jug past the 1.7L mark.

## **HOT LIQUIDS**

1. No matter how careful you are, some splashing is inevitable. At higher temperatures, splashes on skin can hurt. In extreme cases, they may scald, so, when using hot liquids:
  - Before pouring into the jug, let the liquid cool down to the sort of temperature you can handle comfortably (i.e. liquid temperature below 40°C)
  - Run the motor only when the cap is fitted – to add ingredients, stop the motor, remove the cap, add the ingredients, replace the cap, then re-start the motor
  - Put a hand on the lid, to hold it in place while blending
  - If the lid is too hot for comfort, remove it and let the liquid cool down further – replace the lid before blending

## **THE TAP**

1. You can rotate the tap lever to whatever side or angle you find convenient.
2. To open the tap, press the lever.
3. To lock it open, press as far as it'll go.
4. When dispensing thick smoothies, it helps to run the motor at low speed (1). If they're really thick, use the stirrer as well (use it via the hole, do not remove the lid).
5. When dispensing thick smoothies, remember that you will need one hand for the tap, and one for the stirrer, so find a stable, flat-bottomed glass, cup, or container, to sit on the work surface, under the tap, for the smoothie.

## **CRUSHING ICE**

1. Before using the smoothie maker to crush ice, make sure it is clean and rinse it out thoroughly. The slightest trace of detergent may affect the taste of the crushed ice and will flatten any drink to which it is added.
2. Ice cubes come in many shapes and sizes. You have to experiment with the ice from your ice cube tray.
3. Start with half to three quarters of a cup of ice or 4 – 6 cubes and add 15 ml (1 tablespoon) of fresh cold water.

4. Put the lid on the jug, then press the pulse button (P setting) 3 or 4 times, with short pauses in between.
5. Check the results, and adjust. Too much blending will reduce the ice to liquid, too little will merely chip the edges/corners off the ice.
6. Do not try to crush ice without adding water to the jug.
7. Do not be tempted simply to increase the amount of ice and blend for longer. This will not work. Too much ice will never give you satisfactory results.

## HINTS AND TIPS

1. To achieve the best results when pureeing solid ingredients, place small portions into the glass jug one by one instead of placing a large quantity all at once.
2. If you are processing solid ingredients, cut them into small pieces (2-3cm) first.
3. When mixing solid ingredients, start off with a small amount of liquid and gradually add more and more liquid through the opening in the lid.
4. Take caution when processing hot liquids.
5. For stirring solid or very thick liquid ingredients, we recommend that you use the blender in impulse mode (P setting) to prevent the blades from becoming stuck.

## CARE AND MAINTENANCE

1. Switch the smoothie maker off, and unplug it.
2. Clean it as soon after use as possible, to prevent residues setting inside the jug.
3. Turn the jug anti-clockwise to unlock it from the base, and then lift it off the base.
4. Remove the lid, cup and stirrer.
5. All removable parts can be washed in a sink or dishwasher.

**Caution** - take great care when handling the blade unit.



6. Turn the jug upside down, so you can see the underside of the blade unit.
7. Hold the jug handle with one hand, hold the underside of the blade unit with the other hand, and turn the blade unit clockwise to release it – it is quite stiff.
8. Carefully lift the blade unit out of the jug.
9. Keep hold of the jug handle – grip the jug base, and turn it anti-clockwise to release.



10. Lift the seal off the blade unit – mind the blades, they are sharp!
11. Unscrew the tap from the jug base – it takes 2 complete turns to unscrew
12. Unscrew the lever and its retaining ring from the tap – this takes about 2½ turns.
13. Wash the cap, lid, stirrer, tap parts, jug, blade unit, and seal in warm soapy water, and leave them to drain dry.
14. Do not use a cloth for drying. You may leave lint on the inside surfaces, and you will probably cut yourself on the blades.
15. Use a bottle brush on the hole in the jug that the tap fits into.
16. Your bottle-brush may also come in handy when cleaning the inside of the tap.
17. If you have left it too long before cleaning, and bits have glued themselves to the inside of the jug, use a nylon brush. If that does not work, crush some ice cubes in it – that will shift anything.
18. Do not put any part of the smoothie maker in a dishwasher.
19. The extreme environment inside the dishwasher can affect the surface finishes.
20. Wipe the outside of the motor unit with a clean damp cloth.
21. Do not put the motor unit in water or any other liquid.
22. Do not use harsh or abrasive cleaning agents or solvents.

## **REASSEMBLY**

1. Wait until everything is dry.
2. Fit the jug base to the jug before replacing the blade unit.
3. Reseat the seal on top of the jug base – this seal is flat, with a ribbed upper surface.
4. Align the ▼ on the glass part of the jug with the open padlock on the top of the jug base.

## **GLASS JUG**

1. Lower the glass part of the jug into the jug base.
2. Turn the jug to bring the ▼ over the closed padlock on the top of the jug base.
3. The jug must be turned far enough round to allow the safety switch actuator to move freely. You can see it if you look down into the jug from behind the handle.
4. If you cannot move the actuator, you haven't turned the jug far enough round.

5. Replace the seal round the blade unit – keep your fingers clear of the blades.
6. It is easier to replace the blade unit in the jug by holding the jug upright, and putting the blade unit up into the bottom of the jug. This prevents the seal from falling out.
7. When the blade unit is in place, it is easier to the jug upside down to tighten the blade unit – it is a bayonet-type fitting, and it tightens anti-clockwise.
8. Turn the jug the right way up.
9. Screw the tap lever back into the tap – about 2½ turns of the retaining ring. Do not overtighten it. If you do, our spares department will be delighted to sell you a new tap. They love people who break things.
10. To replace the tap, hold it upright, put it into the hole in the jug base, and then turn it 2 complete turns clockwise – no more.

Note: If the tap lock comes loose, turn the jug and base upside down, hold the tap lock flat side down, with the pip towards the inside, then slide it back into the jug base.

## **STAINING**

1. Carotenoids, which are found in many other vegetables as well as carrots, can cause severe staining. This staining may be impossible to remove. Do not worry about it, it will not affect the operation of the smoothie maker.
2. If you want to try, then you could try soaking the stained parts overnight in one of the following:
  - Quarter of a cup of household bleach in a sink full of warm water
  - A mixture of 1 part white vinegar to two parts warm water
  - Half a small packet of baking soda in enough warm water to cover the parts

**Caution: Do not try to mix these methods. You may make a mess, you may cause nasty eye- watering, breath-catching fumes, and you may harm the parts you are trying to clean.**

## Recipes

**Fresh fruit smoothies** – these make 2 large smoothies

### **Strawberry & banana smoothie**

300ml milk

1 large banana, roughly chopped

12 strawberries, stalks removed

4 ice cubes

Put everything into the jug, ice cubes last. Run at low for 10 seconds, then high for 10 seconds.

### **Banana, vanilla & honey smoothie**

400ml milk

1 large banana, roughly chopped

4 tsp honey

2 tsp vanilla extract

6 ice cubes

Put everything into the jug, ice cubes last. Run at low for 10 seconds, then high for 5 seconds.

### **Apple & mango smoothie**

600ml apple juice

1 ripe mango

6 ice cubes

Stone, peel and roughly chop the mango. Put everything into the jug, ice cubes last. Run at low for 10 seconds, then high for 10 seconds.

### **Creamy blueberry & vanilla smoothie**

360ml lemonade

125g vanilla ice cream

70g blueberries

Put everything into the jug. Run at low for 10 seconds, then high for 10 seconds.

### **Breakfast smoothie**

4 tbsp natural yogurt

200ml milk

2 tbsp oatmeal or porridge oats

1 large banana, roughly chopped

2 tsp honey

2 apples, cored and roughly chopped

4 ice cubes

Put everything into the jug, ice cubes last. Run at low for 10 seconds, then high for 15 seconds.

### **Berry fruity smoothie**

300ml apple juice

90g raspberries

12 strawberries, stalks removed

4 ice cubes

Put everything into the jug, ice cubes last. Run at low for 15 seconds, then high for 15 seconds.

### **Chocolate orange smoothie**

170g chocolate ice cream

300ml orange juice

4 ice cubes

Put everything into the jug, ice cubes last. Run at low for 10 seconds, then high (2) for 5 seconds.

### **Nutty banana smoothie**

150g hazlenut yogurt

1 large banana, roughly chopped

200ml milk

6 ice cubes

Put everything into the jug, ice cubes last. Run at low (1) for 10 seconds, then high (2) for 5 seconds.

### **Chocolate pear smoothie**

300ml chocolate milk

2 pears, peeled, cored and roughly chopped

10 ice cubes

Put everything into the jug, ice cubes last. Run at low (1) for 15 seconds, then high (2) for 5 seconds.

### **Mango lassi**

200ml natural yogurt

1 ripe mango

200ml milk

2 tsp honey

10 ice cubes

Stone, peel and roughly chop the mango. Put everything into the jug, ice cubes last. Run at low (1) for 10 seconds, then high (2) for 5 seconds.

### **Cranberry, orange & banana smoothie**

300ml orange juice

300ml cranberry juice

1 small banana, roughly chopped

6 ice cubes

Put everything into the jug, ice cubes last. Run at low for 10 seconds, then high for 5 seconds.

### **Peach & apricot smoothie**

4 halves of tinned apricot (in juice)

80ml apricot juice (from tin)

2 peaches

4 tbsp natural yogurt

200ml milk

2 tsp honey

6 ice cubes

Stone and roughly chop the peaches. Put everything into the jug, ice cubes last. Run at low for 15 seconds, then high for 15 seconds.

### **Apple, melon & kiwi fruit smoothie**

400ml apple juice

1 kiwi fruit, peeled and roughly chopped

150g melon, roughly chopped

6 ice cubes

Put everything into the jug, ice cubes last. Run at low for 10 seconds, then high for 10 seconds.

### **Very chocolatey cherry smoothie**

350ml lemonade

125ml chocolate ice cream

100g cherries, stoned

Put everything into the jug, ice cubes last. Run at low for 10 seconds, then high for 10 seconds.

## **Adult only smoothies – these make 2 glasses**

### **Tropical cocktail**

200ml ginger beer

150g melon, roughly chopped

40ml rum

5 ice cubes

Put everything into the jug, ice cubes last. Run at low for 10 seconds, then high for 10 seconds.

### **Cosmopolitan**

100ml cranberry juice

50ml vodka

50ml cointreau

Put everything into the jug. Run at low for 10 seconds.

### **Baileys coffee cocktail**

100ml milk

40g vanilla ice cream

½ tsp instant coffee

40ml baileys or irish cream liqueur

3 ice cubes

Put everything into the jug, ice cubes last. Run at low for 10 seconds, then high for 5 seconds.

### **Strawberry gin fizz**

100ml lemonade

60ml gin

1 tsp lemon juice

6 strawberries, stalks removed

5 ice cubes

Put everything into the jug, ice cubes last. Run at low for 10 seconds, then high for 10 seconds.

### **Mango & rum cocktail**

100ml pineapple juice

½ ripe mango, stone removed, peeled and roughly chopped

1 small banana, roughly chopped

40ml rum

3 tbsp natural yogurt

5 ice cubes

Stone, peel and roughly chop the mango. Put everything into the jug, ice cubes last.

Run at low for 10 seconds, then high for 10 seconds.

### **La mumba**

300ml chocolate milk

50ml brandy

3 ice cubes

Put everything into the jug, ice cubes last. Run at low for 10 seconds, then high for 10 seconds.

### **Pina colada**

200ml pineapple juice

100ml malibu

30ml single cream

4 ice cubes

Put everything into the jug, ice cubes last. Run at low for 15 seconds, then high for 10 seconds.

## **GENERAL CLEANING AND MAINTENANCE**

- This appliance is for household use only and is not user-serviceable.
- Do not open or change any parts by yourself. Please refer to a qualified electrical service department or return to the supplier if servicing is necessary.
- Disconnect the plug from the wall outlet and remove the probe together with the power cord from the appliance's power inlet.
- Allow the unit to cool.
- To clean the temperature control probe, wipe over the unit with a slightly damp cloth. Use a non-abrasive sponge or damp dish cloth to clean the mill beaker.
- The power inlet must be dried before the appliance is used again.
- Let parts dry completely before reassembling.

## **STORING THE APPLIANCE**

- Unplug the unit from the electrical outlet and clean all the parts as instructed above. Ensure that all parts are dry before storing.
- Store the appliance in its box or in a clean, dry place.
- Never store the appliance while it is still wet or dirty.
- Never wrap the power cord around the appliance.
- Take caution when storing the temperature control knob – do not knock or drop it as that may damage it. If damage is suspected, report it to customer services.

## **SERVICING THE APPLIANCE**

There are no user serviceable parts in this appliance. If the unit is not operating correctly, please check the following:

- You have followed the instructions correctly
- That the unit has been wired correctly and that the wall socket is switched on.

- That the mains power supply is ON.
- That the plug is firmly in the mains socket.

If the appliance still does not work after checking the above:

Consult the retailer for possible repair or replacement. If the retailer fails to resolve the problem and you need to return the appliance, make sure that:

- The unit is packed carefully back into its original packaging.
- Proof of purchase is attached.
- A reason is provided for why it is being returned.

If the supply cord is damaged, it must be replaced by the manufacturer or an authorised service agent, in order to avoid any hazard. If service becomes necessary within the warranty period, the appliance should be returned to an approved Home of Living Brands (Pty) Limited service centre. Servicing outside the warranty period is still available, but will, however, be chargeable.

## **CHANGING THE PLUG**

Should the need arise to change the fitted plug, follow the instructions below.

**This unit is designed to operate on the stated current only. Connecting to other power sources may damage the appliance. Connect to a two-pin plug only.**



**PLEASE AFFIX YOUR PROOF OF PURCHASE/RECEIPT HERE  
IN THE EVENT OF A CLAIM UNDER WARRANTY THIS RECEIPT MUST BE PRODUCED.**

## **WARRANTY**

1. Home of Living Brands (Pty) Limited (“Home of Living Brands”) warrants to the original purchaser of this product (“the customer”) that this product will be free of defects in quality and workmanship which under normal personal, family or household use and purpose may manifest within a period of 1 (one) year from the date of purchase (“warranty period”).
2. Where the customer has purchased a product and it breaks, is defective or does not work properly for the intended purpose, the customer must notify the supplier from whom the customer bought the product (“the supplier”) thereof within the warranty period. Any claim in terms of this warranty must be supported by a proof of purchase. If proof of purchase is not available, then repair, and/or service charges may be payable by the customer to the supplier.
3. The faulty product must be taken to the supplier's service centre to exercise the warranty.
4. The supplier will refund, repair or exchange the product in terms of this warranty subject to legislative requirements. This warranty shall be valid only where the customer has not broken the product himself, or used the product for something that it is not supposed to be used for. The warranty does not include and will not be construed to cover products damaged as a result of disaster, misuse, tamper, abuse or any unauthorised modification or repair of the product.
5. This warranty will extend only to the product provided at the date of the purchase and not to any expendables attached or installed by the customer.
6. If the customer requests that the supplier repairs the product and the product breaks or fails to work properly within 3 (three) months of the repair and not as a result of misuse, tampering or modification by or on behalf of the customer, then the supplier may replace the product or pay a refund to the customer.
7. The customer may be responsible for certain costs where products returned are not in the original packaging, or if the packaging is damaged. This will be deducted from any refund paid to the customer.

### **HOME OF LIVING BRANDS (PTY) LTD (JOHANNESBURG)**

JOHANNESBURG

TEL NO. (011) 490-9600

CAPE TOWN

TEL NO. (021) 552-5161

DURBAN

TEL NO. (031) 792-6000

[www.homeoflivingbrands.com](http://www.homeoflivingbrands.com)

[www.russellhobbs.co.za](http://www.russellhobbs.co.za)

[www.facebook.com/RussellHobbsSA](https://www.facebook.com/RussellHobbsSA)