



Russell Hobbs

INSTRUCTIONS AND WARRANTY



MODEL NO. 21702-56

**RUSSELL HOBBS RETRO VINTAGE FILTER COFFEE
MAKER**

Congratulations on purchasing our Russell Hobbs Retro Vintage Filter Coffee Maker. Each unit is manufactured to ensure safety and reliability. Before using this appliance for the first time, please read the instruction manual carefully and keep it for future reference.

FEATURES OF THE RUSSELL HOBBS RETRO VINTAGE FILTER COFFEE MAKER

- Stainless coffee maker with stunning retro accents
- Pause & Pour feature
- Water level indicator
- Removable, washable filter holder
- Glass Carafe with 1,25L capacity
- Brewing progress coffee gauge
- 1 Cup coffee scoop included
- Suitable for ground coffee only
- For domestic use only
- (1 year retail • 1 year extended upon online registration of product • visit www.russellhobbs.co.za)

IMPORTANT SAFEGUARDS

When using any electrical appliance, basic safety precautions should always be followed including the following:

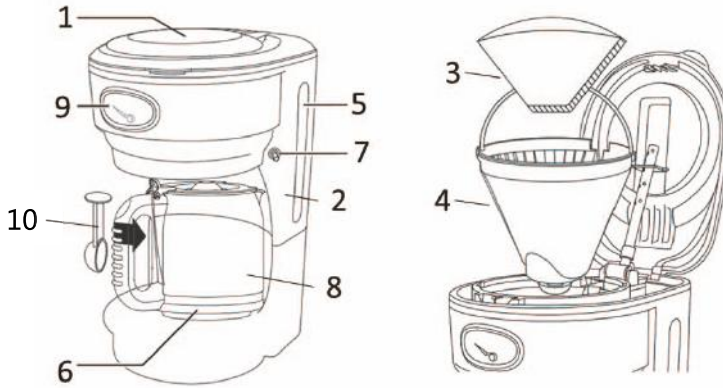
1. Please read the instructions carefully before using any appliance.
2. Always ensure that the voltage on the rating label corresponds to the mains voltage in your home.
3. Incorrect operation and improper use can damage the appliance and cause injury to the user.
4. This appliance is intended for household use only. Commercial use invalids the warranty and the supplier cannot be held responsible for injury or damage caused when using the appliance for any other purpose than that intended.
5. Avoid any contact with moving parts.
6. This appliance is not intended for use by persons (including children) with reduced physical, sensory or mental capabilities, or lack of experience and knowledge, unless they have been

given supervision or instruction concerning use of the appliance by a person responsible for their safety.

7. Children should be supervised to ensure that they do not play with the appliance.
8. Check the power cord and plug regularly for any damage. If the cord or the plug is damaged, the manufacturer or a qualified person must replace it in order to avoid an electrical hazard.
9. Do not use the appliance if it has been dropped or damaged in any way. In case of damage, take the unit in for examination and/or repair by an authorised service agent
10. To reduce the risk of electric shock, do not immerse or expose the unit, plug or the power cord to water or any other liquid. Do not use it with wet hands.
11. Never immerse the unit in water or any other liquid for cleaning purposes.
12. Remove the plug from the socket by gripping the plug. Do not pull on the cord to disconnect the appliance from the mains. Always the unit to cool and unplug it when not in use, before cleaning or when adding or removing parts.
13. Insert and use only original parts.
14. The use of accessory attachments that are not recommended or supplied by the manufacturer may result in injuries, fire or electric shock.
15. A short cord is provided to reduce the hazards resulting from becoming entangled in or tripping over a longer cord.
16. Do not let the cord hang over the edge of a table or counter. Ensure that the cord is not in a position where it can be pulled on inadvertently.
17. Do not allow the cord to touch hot surfaces and do not place on or near a hot gas or electric burner or in a heated oven.
18. Keep the appliance and cord away from direct radiant heat from the sun, from damp, from sharp edges and other dangers.
19. Do not use the appliance on a gas or electric cooking top or over or near an open flame.
20. Use on a hard, flat level surface only, to avoid interruption of airflow underneath the appliance.
21. Use of an extension cord with this appliance is not recommended. However, if it is necessary to use an extension lead, ensure that the lead is suited to the power consumption of the appliance to avoid overheating of the extension cord, the appliance or plug point. Do not place the extension cord in a position where it can be pulled on by children or animals or tripped over.
22. This appliance is intended for brewing only ground coffee.
23. This appliance is not suitable for outdoor use. Do not use this appliance for anything other than its intended use.
24. This appliance is intended to be used in household and similar applications such as:

- Staff kitchen areas in shops, offices and other working environments;
 - Farm houses;
 - By clients in hotels, motels and other residential type environments;
 - Bed and breakfast type environments.
25. Do not operate this appliance by means of an external timer or separate remote control system.
 26. CAUTION: Never open the lid of the water reservoir during the brewing process.
 27. Always be sure to properly close the water reservoir and ensure to fill with water at or above the minimum level marking before turning the appliance ON.
 28. Do not remove the glass carafe while brewing coffee.
 29. Caution should be taken when moving any appliance containing or in contact with hot liquids.
 30. DO NOT carry any appliance by the power cord.
 31. Do not leave this appliance unattended during use. Always unplug the unit when not in use or before cleaning.
 32. Do not place the unit on a hot surface.
 33. It is absolutely necessary to keep this appliance clean at all times as it comes into direct contact with food.
 34. Do not touch any hot surfaces, use handles or knobs.
 35. CAUTION: The Warming Plate and the glass carafe get very hot. Only grab the glass carafe by the handle.
 36. Ensure that the machine is turned OFF after each use.
 37. The manufacturer does not accept responsibility for any damage or injury caused by improper or incorrect use, or for repairs carried out by unauthorised personnel.
 38. In case of technical problems, switch off the machine and do not attempt to repair it yourself. Return the appliance to an authorised service facility for examination, adjustment or repair. Always insist on the use of original spare parts. Failure to comply with the above mentioned precautions and instructions, could affect the safe operation of this machine.

PARTS DIAGRAM



PARTS:

1. Lid
2. Water reservoir
3. Paper filter #4 (not supplied)
4. Filter holder
5. Water gauge
6. Warming Plate
7. On/off switch
8. Glass Carafe
9. Brewing status gauge
10. Scoop

OPERATING INSTRUCTIONS

BEFORE FIRST USE

Take the appliance out of the box and take off any protective wrappings. **REMEMBER: DO NOT LEAVE PROTECTIVE PACKAGING LYING AROUND, AS IT COULD BE DANGEROUS AROUND INFANTS, CHILDREN, IMPAIRED PERSONS OR THOSE PERSONS WITH A DISABILITY.**

Check the contents of the appliance for completeness. In the event that the packaging contents are incomplete or if damage to the appliance is noticeable, do not operate the appliance. Return it to the supplier (retailer) immediately.

Before first use, position the coffee maker on a flat and stable surface. Ensure that it is positioned so that it cannot tip over. We recommend that you operate the coffee maker twice with only water and without coffee grounds to remove any possible manufacturing dust/ residues.

PREPARING THE COFFEE MACHINE

1. Ensure that the machine is OFF and unplugged from the main power supply.
2. Open the lid of the water reservoir/ water tank.
3. Fill the water reservoir/ water tank with cold water according to the desired cups of coffee required. The water level is displayed on the water gauge/ indicator. **NOTE:** You can use the glass carafe as a 'jug' to fill the water reservoir/ water tank. **CAUTION:** Do not overfill the water reservoir/ water tank! Do not fill it above the MAX level mark.
4. Fill a #4 filter paper with ground coffee powder. Usually one cup of coffee needs a level spoon of ground coffee, but it may be adjusted according to your specific requirements. Gently shake the filter to distribute the coffee evenly.
5. Now insert the filter holder and filter back into the machine. Ensure that they are properly attached and seated.
6. Close the water reservoir/ water tank lid.
7. Place the glass carafe onto the warming Plate.

MAKING COFFEE

CAUTION: DO NOT open the lid during brewing as there is the potential risk of scalding.

1. Put the plug into the power socket.
2. Move the switch to I. The light will come on.
3. Shortly afterwards, coffee will start to drip into the carafe. When it's done, the Warming Plate will keep the carafe warm.
4. After 38 - 40 minutes, the Warming Plate and appliance will shut down
5. Move the switch to O.
6. Unplug, and let the appliance and carafe cool down fully before cleaning, or for about 10 minutes before refilling.
7. For the best flavour, drink the coffee within 40 minutes of brewing.

BREWING STATUS GAUGE

The gauge shows the status of your coffee machine.

The pointer will first show the brewing stage as your coffee is being made. The pointer will move slowly clockwise within the first (long) segment during brewing.



Once brewing has finished, the pointer will move to the 0 marking. It will then show, in minutes, how long the coffee has been kept warm by the Warming Plate (0 to 40 mins). After about 40 minutes, chemical changes will affect the taste of the coffee.



When the appliance shuts down, the pointer will move to the rest position.

A QUICK CUP

You can remove the carafe at any time. To prevent the filter holder overflowing, replace the carafe on the Warming Plate within about 20 seconds.

DESCALING

Mineral/ limescale deposits building up in the coffee maker will have an adverse effect in the operation of the appliance. Your appliance must be descaled when you begin to notice an increase in the time required to brew or when there is excessive steaming. You may also notice a build-up of white deposits various parts of the coffee maker. The frequency of cleaning depends upon the hardness of the water used. The following table will provide you with a guideline for suggested cleaning intervals.

SUGGESTED CLEANING INTERVALS

Type of Water	Cleaning Frequency
Soft Water (Filtered Water)	Every 80 Brew Cycles
Hard Water (Tap Water)	Every 40 Brew Cycles

- Use only commercially available appliance descaler.
- Follow the recommended instructions for use.

WARNING:

- Afterward descaling, we recommend that you run the machine with plain cold water (excluding ground coffee) two or three times in order to rinse out residues of the descaling agent.
- Do not use any coffee powder during the descaling process.
- Do not use this water for consumption.

CLEANING AND MAINTENANCE

- This appliance is for household use only and is not user-serviceable.
- Do not open or change any parts by yourself. Please refer to a qualified electrical service department or return to the supplier if servicing is necessary.
- Always remember to unplug the unit from the electrical outlet when not in use and before cleaning. Ensure that the machine is turned OFF and wait until the appliance has cooled down.
- It is much easier to clean the accessories directly after they have been used. Wash them in warm, soapy water, rinse and dry well.
- Do not use a wire brush or any abrasive items to clean your appliance.
- Do not use bleach, any acidic or abrasive detergents/ solvents to clean your appliance as it can be damaging to the finish.
- The exterior of the appliance should be cleaned as necessary with a slightly damp cloth – without any additives. Do not let water enter the appliance or the stand.
- Remove spilled coffee grounds with a paper towel from the inner casing. Afterwards wipe with a damp cloth.
- The glass carafe and the filter holder should be cleaned by rinsing in warm water. Use a soft brush if necessary.
- Do not immerse the appliance in water or any other liquid, or hold it under a running tap to clean.
- To remove stubborn spots/marks, wipe the surfaces with a cloth slightly dampened in soapy water or mild non-abrasive cleaner. Rinse and dry a clean, dry, soft cloth.

TROUBLESHOOTING

Problem	Possible cause	Solution
The appliance does not work.	The appliance may not be connected to the mains power.	Check the wall outlet with a different appliance.
		Insert the plug properly into the wall outlet.
	Check the fuse.	
	The appliance may be defective	Contact our service or an authorised repair center.
Filter blockage: coffee grounds spill over the edge of the filter.	The drip-stop may be closed: the glass carafe is not on the warming Warming Plate or the lid is not on the glass carafe correctly.	<ol style="list-style-type: none"> 1. Switch the appliance OFF. Disconnect it from the mains power supply. 2. Put the glass carafe with lid onto the warming Warming Plate so that the filter is emptied. 3. Clean the appliance as described.
	There may be too much ground coffee powder in the filter.	
Coffee grounds in the coffee.	There may be too much ground coffee powder in the filter.	Use less ground coffee powder.
The brewing process takes too long.	There may be limescale deposits in the appliance.	Descale the appliance as described.
The appliance turns OFF automatically.	The keep-warm period is limited to maximum 40 (forty) minutes after which the appliance will turn off automatically. This feature has been incorporated for increased safety and lower energy consumption.	

STORING THE APPLIANCE

- Ensure that the unit is switched OFF. Unplug the coffee maker from the power outlet.
- Clean all the parts as instructed above. Ensure that all parts are dry before storing.
- Store the appliance in a clean, dry place.
- Never store the appliance while it is still wet or dirty.
- Never wrap the power cord around the appliance.

SERVICING THE APPLIANCE

There are no user serviceable parts in this appliance. If the unit is not operating correctly, please check the following:

- You have followed the instructions correctly
- That the unit has been wired correctly and that the wall socket is switched on.
- That the mains power supply is ON.
- That the plug is firmly in the mains socket.

If the appliance still does not work after checking the above:

- Consult the retailer for possible repair or replacement. If the retailer fails to resolve the problem and you need to return the appliance, make sure that:

- The unit is packed carefully back into its original packaging.
- Proof of purchase is attached.
- A reason is provided for why it is being returned.

If the supply cord is damaged, it must be replaced by the manufacturer or an authorised service agent, in order to avoid any hazard. If service becomes necessary within the warranty period, the appliance should be returned to an approved Home of Living Brands (Pty) Limited service centre. Servicing outside the warranty period is still available, but will, however, be chargeable.

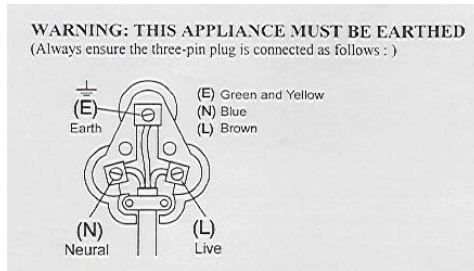
CHANGING THE PLUG

Should the need arise to change the fitted plug, follow the instructions below.

This unit is designed to operate on the stated current only. Connecting to other power sources may damage the appliance. Connect a three-pin plug as follows:

The wires in this mains lead are coloured in accordance with the following code:

Green/Yellow	= Earth
Blue	= Neutral
Brown	= Live



**PLEASE AFFIX YOUR PROOF OF PURCHASE/RECEIPT HERE
IN THE EVENT OF A CLAIM UNDER WARRANTY THIS RECEIPT MUST BE PRODUCED.**

W A R R A N T Y AND EXTENDED WARRANTY

1. Home of Living Brands (Pty) Limited ("Home of Living Brands ") warrants to the original purchaser of this product ("the customer") that this product will be free of defects in quality and workmanship which under normal personal, family or household use and purpose may manifest within a period of 1 (one) year from the date of purchase ("warranty period").
2. Home of Living Brands shall extend the warranty period for a further period of 1 (one) year ("extended warranty period"), on condition that the purchaser registers the product on the website, within 12 months from the date of purchase of the product. The website address for registration is as follows: <http://russellhobbs.co.za/info-pages/warranty-info.aspx>. The extended warranty period only applies to products purchased on or after 1 October 2017.
3. Where the customer has purchased a product and it breaks, is defective or does not work properly for the intended purpose, the customer must notify the supplier from whom the customer bought the product ("the supplier") thereof within the warranty period or if applicable, the extended warranty period. Any claim in terms of this warranty must be supported by a proof of purchase. If proof of purchase is not available, then repair, and/or service charges may be payable by the customer to the supplier.
4. The faulty product must be taken to the supplier's service centre to exercise the warranty.
5. The supplier will refund, repair or exchange the product in terms of this warranty subject to legislative requirements. This warranty shall be valid only where the customer has not broken the product themselves, or used the product for something that it is not supposed to be used for. The warranty does not include and will not be construed to cover products damaged as a result of disaster, misuse, tamper, abuse or any unauthorised modification or repair of the product.
6. This warranty will extend only to the product provided at the date of the purchase and not to any expendables attached or installed by the customer.
7. If the customer requests that the supplier repairs the product and the product breaks or fails to work properly within 3 (three) months of the repair and not as a result of misuse, tampering or modification by or on behalf of the customer, then the supplier may replace the product or pay a refund to the customer, subject to the supplier's discretion.
8. The customer may be responsible for certain costs where products returned are not in the original packaging, or if the packaging is damaged. This will be deducted from any refund paid to the customer.

HOME OF LIVING BRANDS (PTY) LTD (JOHANNESBURG)

JOHANNESBURG

TEL NO. (011) 490 9600

CAPE TOWN

TEL NO. (021) 552 5161

DURBAN

TEL NO. (031) 303 1163

www.homeoflivingbrands.co.za

