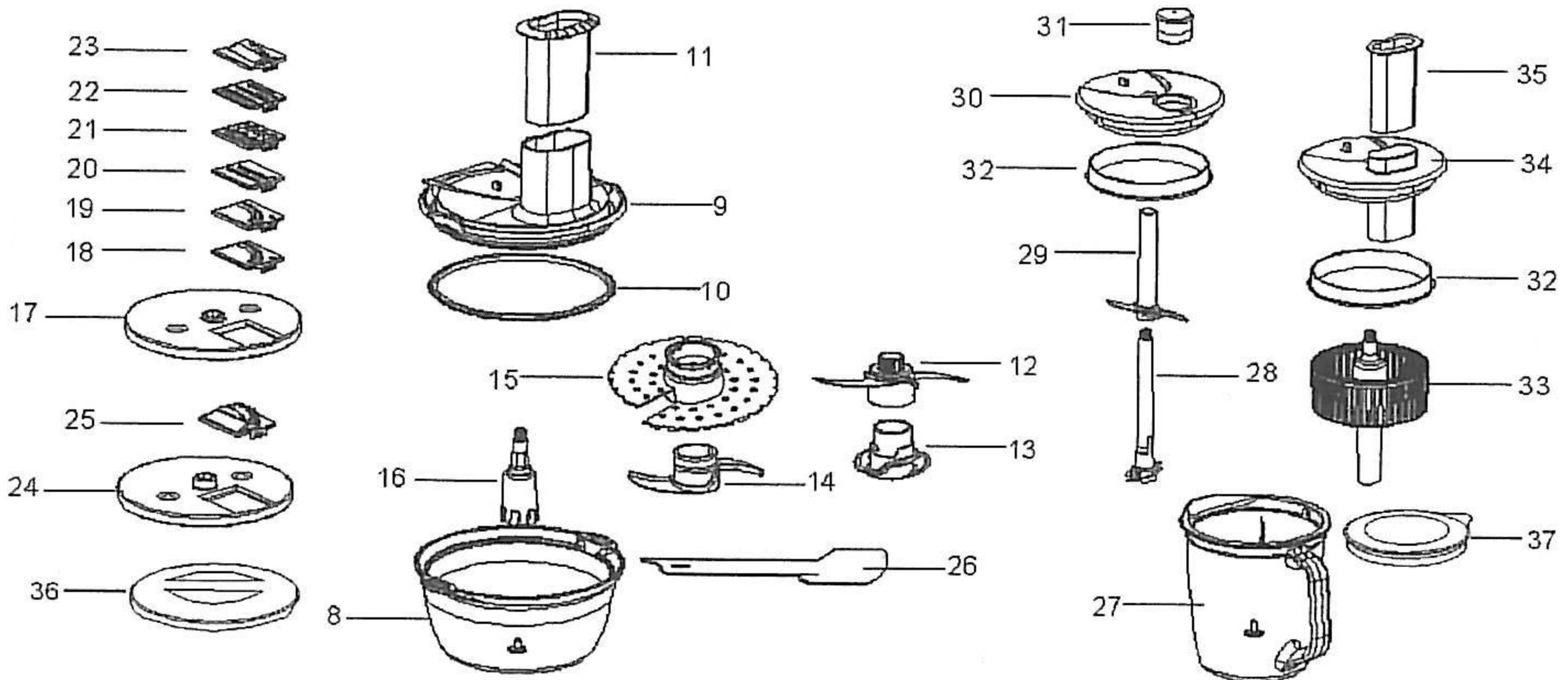
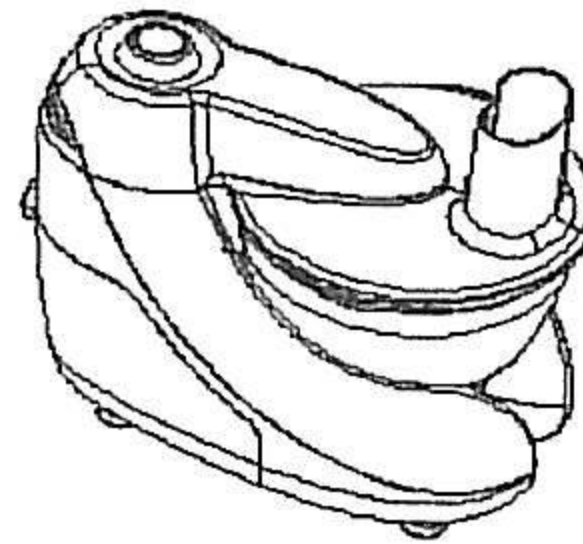
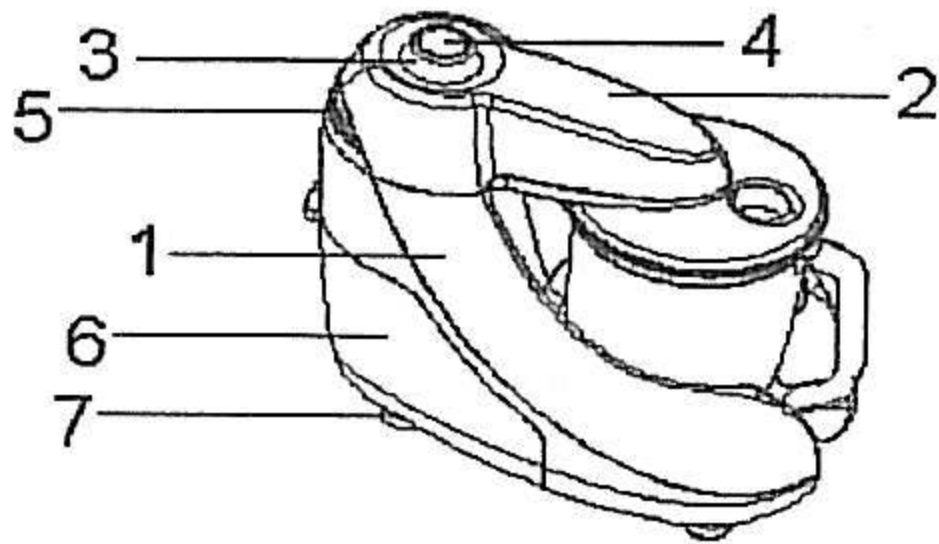


E 92 FP FOOD PROCESSOR WITH SWIVEL HEAD

- 1-Motor Unit
- 2-Swivel Head
- 3-On/Off and Speed Control Knob
- 4-Pulse Button
- 5-Opening Button for Swivel Head
- 6-Blades Storage Housing Cover
- 7-Anti-Slip Foot
- 8- Bowl
- 9- Bowl lid
- 10-Bowl Lid Sealing Ring
- 11-Bowl Pusher
- 12-Main Chopping Blade
- 13-Upper Chopping Blade
- 14-Dough Blade
- 15-Whisking Attachment
- 16-Spindle
- 17-Blade Holder
- 18-Thin Slicing Blade
- 19-Thick Slicing Blade
- 20-Thin Shredding Blade
- 21-Thick Shredding Blade
- 22-Parmesan Blade
- 23-French Fries Blade Small
- 24-French Fries Blade Holder
- 25-French Fries Blade Big
- 26-Spatula
- 27- Jar
- 28-Main Blade for Jar
- 29-Upper Blade for Jar
- 30-Jar Lid
- 31-Jar Lid
- 32-Jar Sealing Ring
- 33-Juice Extractor
- 34-Juice Extractor Lid
- 35-Juice Extractor Pusher
- 36-Bowl Storage Lid
- 37-Jar Storage Lid



E 92 FP FOOD PROCESSOR WITH SWIVEL HEAD

IMPORTANT SAFEGUARDS

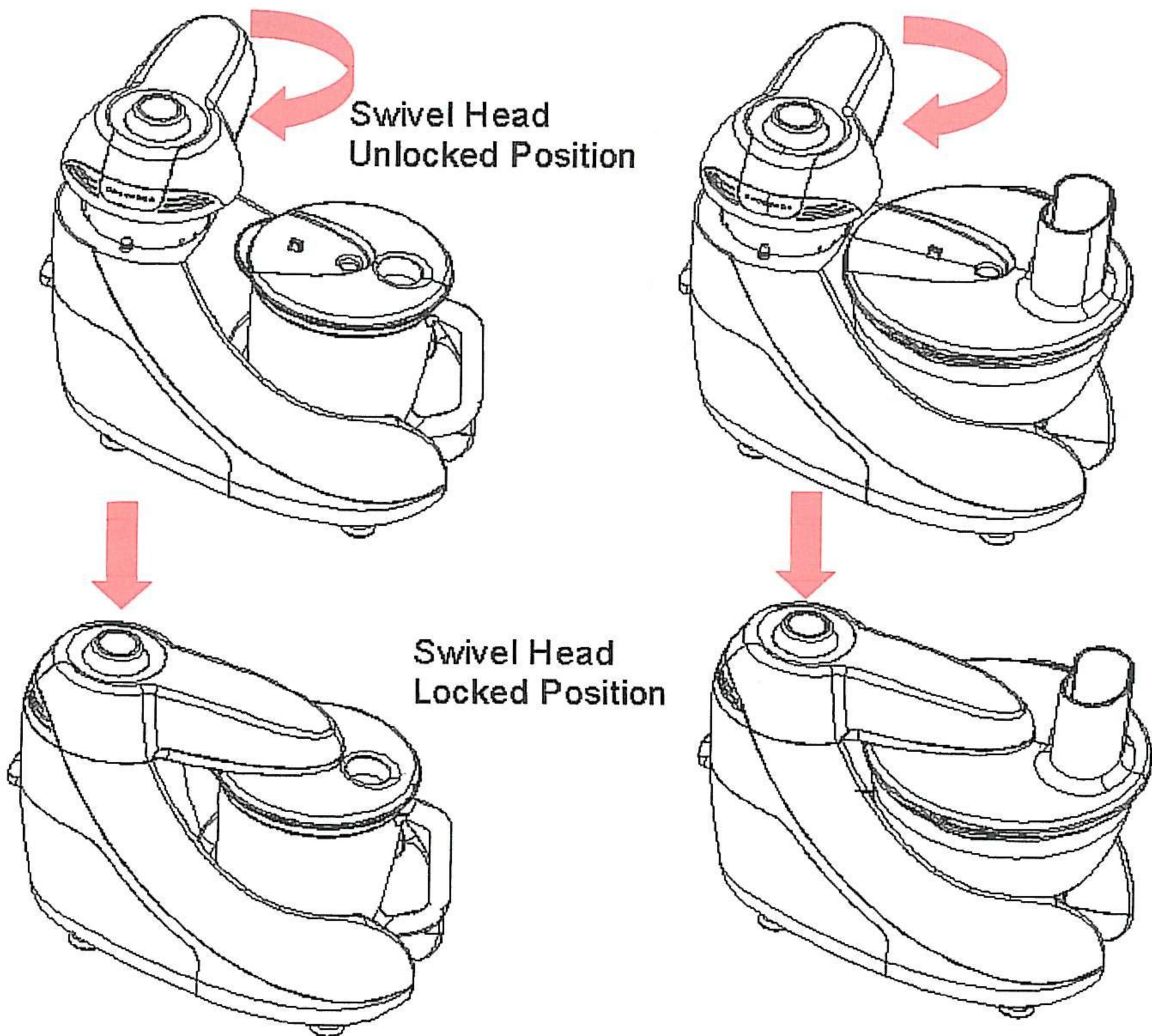
When using electrical appliances, basic safety precautions should always be followed, including the following:

1. Read all instructions before using the appliance. It is suggested that you keep these instructions in a safe place for future references.
2. Your voltage must correspond to the voltage printed on the bottom of the appliances. Connect to alternating current only.
3. To protect against electrical shock do not put the motor housing (base), cord or plug in water or other liquid.
4. Close supervision is necessary when the appliance is used by or near children.
5. Unplug from outlet when not in use, before putting on or taking off parts, and before cleaning.
6. Avoid contacting moving parts at all times.
7. Do not operate the appliance with a damaged cord or plug or after the appliance malfunctions, or is dropped or damaged in any manner. Return the appliance to the nearest authorized service facility for examination, repair or electrical or mechanical adjustment.
8. The use of attachments including canning jars not recommended in the instruction manual may cause fire, electric shock or injury to persons.
9. Do not use outdoors.
10. Do not let cord hang over edge of table or counter, or touch hot surfaces.
11. Keep hands and utensils away from moving blades or discs while processing food to reduce the risk of severe injury to persons or damage to the food processor. A scraper may be used but must be used only when the food processor is not running.
12. Blades are sharp. Handle carefully. When handling the chopper blade, always hold it by the upper plastic part.
13. To reduce the risk of injury, never place cutting blades or discs on the base without first putting bowl or jar properly in place.
14. Be certain swivel head is securely locked in place before operating appliance. Please turn the On/Off knob to Off position to open the swivel head.
15. Never feed food by hand. Always use food pusher.
16. Do not use the appliance if juice extractor filter is damaged or broken.

IMPORTANT SAFEGUARDS

FOR HOUSEHOLD USE ONLY

E 92 FP FOOD PROCESSOR WITH SWIVEL HEAD



IMPORTANT INFORMATION

Please read all the following instructions carefully.

For your protection, E 92 FP Food Processor has a swivel head system. It cannot run unless the swivel head is locked and the swivel head cannot be opened unless the On/Off knob is turned to the Off position. To open the swivel head press the swivel head opening button (5)

IMPORTANT SAFEGUARDS

Control Panel

After properly locking the swivel head in place, turn the operation knob (3) to activate the unit from its off position.

For intermittent use, press onto " PULSE" button (4)

Food Processing

CAUTION : Make sure that the unit is unplugged from power source and operation knob is in "OFF" position before inserting or removing any attachments and before cleaning.

WARNING : Use extreme caution when handling the blades. They are extremely sharp.

IMPORTANT: The food processing unit will not operate if the swivel head is not locked securely.

WARNING : To reduce risk of injury, never place the chopping blades on the base without first putting the glass bowl properly in place.

1) Using the Double Chopping Blade

1. Place the glass bowl(8) onto the glass bowl housing on the unit. Insert the spindle(16) onto the shaft of the glass bowl. Insert the main blade(13) over the shaft of the spindle(16). And insert the upper blade(12) over the main blade(13) properly. Always hold the chopping blades by the upper plastic part.
2. Place ingredients to be processed in the glass bowl.(8)
3. Then place the lid(9) onto the glass bowl(8) properly. Insert food pusher(11) into feed chute.
4. Turn the swivel head(2) clockwise and press to lock securely. Ensure that the swivel head has " clicked " into place. Please see the illustrations.
5. Plug the processor into a wall outlet.
6. Turn the speed control knob(3) to the desired speed setting.
7. Keep hands and utensils away from the chopping blades while chopping food to reduce the risk of severe injury or damage to the food processor. A scraper may be used, but **ONLY** when the food processor is not running and has been unplugged. Never feed food by hand. Always use the food pusher.
8. When finished processing the ingredients, **PLEASE turn the Speed Control Knob to the OFF position.** Then press the opening button(5) to unlock the swivel head. **You can not unlock the swivel head unless you turn the knob to the OFF position.**
9. Remove the lid.(9)
10. Remove the chopping blades(12+13) first before removing the processed food.

FOR SAFETY, ALWAYS USE THE FOOD PUSHER WHEN PUTTING FOOD INTO THE FEEDER TUBE. NEVER FEED BY HAND.

12. Do not leave the appliance unattended when it is in the "ON" position.

Processing Examples

The processing times indicated are approximate and also depend on the quality of the food to be processed and degree of fineness you require.

Food Processing:

Product	Quantity	Recommended Level	Operation Times
Meat	1000g.	max	10-20 sec.
Onions	700g.	5-max	10-20 sec.
Nuts	600g.	max	10-20 sec.
Fish	700g.	pulse-max	10-20 sec.
Cheese	700g.	pulse-max	10-20 sec.
Carrots	700g.	pulse-max	20 sec.
Apples	700g.	5-max	10-20 sec.
Mayonnaise	4 eggs/ 1lt.oil	8-max	20 sec.

2) Dough Making with Dough Blade

CAUTION : Make sure that the unit is unplugged from power source and operation knob is in "OFF" position before inserting or removing any attachments and before cleaning.

IMPORTANT: The food processor unit will not operate if the swivel head is not locked securely.

1. Place the glass bowl(8) onto the glass bowl housing on the unit. Insert the spindle(16) onto the shaft of the glass bowl. Insert the dough blade(14) over the shaft of the spindle.(16)
2. Place ingredients to be processed in the glass bowl.(8)
3. Then place the lid(9) onto the glass bowl(8) properly.
4. Turn the swivel head(2) clockwise and press to lock securely. Ensure that the swivel head has " clicked " into place. Please see the illustrations.
5. Plug the processor into a wall outlet.
6. Turn the speed control knob.(3) Recommended operation speed level is MAX.
7. When finished processing the ingredients, **PLEASE turn the Speed Control Knob to the OFF position.** Then press the opening button(5) to unlock the swivel head. **You can not unlock the swivel head unless you turn the knob to the OFF position.**
10. Remove the lid.(9)
11. Remove the dough blade(14) and spindle(16) first before removing the processed food.
12. Max.capacity for processing dough is based on the mixture of 500 g. of flour plus 300 g. of water in order to obtain 800g. of dough. When preparing knead-dough, do not operate the machine longer than 20 seconds and wait at least two minutes before operating the machine again.
13. For your safety, keep the pusher(11) in its place while operating the appliance.

3) Whipping with Whisking Attachment

CAUTION : Make sure that the unit is unplugged from power source and operation knob is in "OFF" position before inserting or removing any attachments and before cleaning.

IMPORTANT: The food processor unit will not operate if the swivel head is not locked securely.

1. Place the glass bowl(8) onto the glass bowl housing on the unit. Insert the spindle(16) onto the shaft of the glass bowl. Insert the whisking attachment(15) over the shaft of the spindle. (16)
 2. Place ingredients to be processed in the glass bowl.(8)
 3. Then place the lid(9) onto the glass bowl(8) properly.
 4. Turn the swivel head(2) clockwise and press to lock securely. Ensure that the swivel head has " clicked " into place. Please see the illustrations.
 5. Plug the processor into a wall outlet.
 6. Turn the speed control knob.(3) Recommended operation speed level is MAX.
 7. When finished processing the ingredients, **PLEASE turn the Speed Control Knob to the OFF position.** Then press the opening button(5) to unlock the swivel head. **You can not unlock the swivel head unless you turn the knob to the OFF position.**
 10. Remove the lid.(8)
 11. Remove the whisking attachment(15) and spindle(16) first before removing the processed food.
 12. For your safety, keep the pusher(11) in its place while operating the appliance.
- WARNING:** Never use the whisking attachment(15) for dough kneading.

Processing Examples

The processing times indicated are approximate and also depend on the quality of the food to be processed and degree of fineness you require.

Whipping:

Product	Quantity	Recommended Level
Egg	4 pcs.	1-max
Mayonnaise	4 pcs. Eggs	8-max
Cake dough	800 gr. (200 gr. flour + 3 eggs + 200 gr.liquid oil + 200 gr yoghurt + 200 gr. Sugar)	8-max
Cream	500 gr.	8-max

4) Continuous Slicer / Shredder

CAUTION : Make sure that the unit is unplugged from power source and operation knob is in "OFF" position before inserting or removing any attachments and before cleaning.

WARNING : Use extreme caution when handling the blades. They are extremely sharp.

IMPORTANT: The food processor unit will not operate if the swivel head is not locked securely.

1. Place the blade(18-19-20-21-22-23-25) of your choice on the blade holder.(17-24)
2. Place the glass bowl(8) onto the glass bowl housing on the unit. Insert the spindle(16) onto the shaft of the glass bowl. Insert the blade holder(17-24) over the shaft of the spindle.
2. Place ingredients to be processed in the glass bowl.(8)
3. Then place the lid(9) onto the glass bowl properly.
4. Turn the swivel head(2) clockwise and press to lock securely. Ensure that the swivel head has " clicked " into place. Please see the illustrations.
5. Plug the processor into a wall outlet.
6. Turn the speed control knob.(3)
7. When finished processing the ingredients, **PLEASE turn the Speed Control Knob to the OFF position.** Then press the opening button(5) to unlock the swivel head. **You can not unlock the swivel head unless you turn the knob to the OFF position.**
10. Remove the lid.(9)
11. Remove the blade holder(17-24) and spindle(16) first before removing the processed food.
12. For your safety, keep the pusher(11) in its place while operating the appliance.

Product	Quantity	Recommended Level
Carrots	500 gr.	1-3
Radish	500 gr.	1-3
Squash	1000 gr.	1-3
Cucumber	1000 gr.	1-3
Cheese	500 gr.	1-max
Potato	500 gr.	1-3

WARNING : Please use the big blade holder(24) for the big french fries blade.(25) Please use the other blade holder(17) for the rest of the other blades.(18-19-20-21-22-23)

5) Juice Extracting in Glass Jar

CAUTION : Make sure that the unit is unplugged from power source and operation knob is in "OFF" position before inserting or removing any attachments and before cleaning.

IMPORTANT: The food processor unit will not operate if the swivel head is not locked securely.

1. Place the glass jar(27) onto the glass jar housing on the unit. Insert the juice extractor(33) onto the shaft of the glass jar.(27)
2. Place ingredients to be processed in the glass jar.
3. Then place the juice extractor lid(34) onto the glass jar properly. Insert pusher(35) into its place.
4. Turn the swivel head(2) clockwise and press to lock securely. Ensure that the swivel head has " clicked " into place. Please see the illustrations.
5. Plug the processor into a wall outlet.
6. Turn the speed control knob.(3) Recommended speed level is MAX. for juice extracting.
7. When finished processed the ingredients, **PLEASE turn the Speed Control Knob to the OFF position.** Then press the opening button(5) to unlock the swivel head. **You can not unlock the swivel head unless you turn the knob to the OFF position.**
10. Remove the juice extractor lid.(34)
11. Remove the juice extractor first before removing the processed food.
12. For your safety, always use the pusher(35) to press down the ingredient.
13. Always make sure juicer lid is locked securely in place before motor is turned on. Do not remove the juice extractor lid while operating.
14. Be sure to turn switch to " OFF " position after each use. Make sure the motor stops completely and unplug unit before disassembling.
15. During use, turn "OFF" the appliance temporarily to clean the pulp that remains in the filter, with the help of the spatula.
16. Do not put your fingers or other objects into the juice extractor opening while it is in operation. If food becomes lodged in the opening, use food pusher or another piece of fruit or vegetable to push it down. When this method of removing food lodged in the opening is not possible, turn the motor "OFF" and disassemble juice extractor to remove the remaining food.

6) Using the Double Chopping Blade in Glass Jar

1. Place the glass jar(27) onto the glass jar housing on the unit. Insert the main blade(28) onto the shaft of the glass jar. Insert the upper blade(29) over the main blade(28) properly. Always hold the blades by the upper plastic part.
2. Place ingredients to be processed in the glass jar.(27)
3. Then place the chopping lid(30) onto the glass jar properly. Insert small lid(31) into its place.
4. Turn the swivel head(2) clockwise and press to lock securely. Ensure that the swivel head has " clicked " into place. Please see the illustrations.
5. Plug the processor into a wall outlet.
6. Turn the speed control knob(3) to the desired speed setting.
7. Keep hands and utensils away from the chopping blades while chopping food to reduce the risk of severe injury or damage to the food processor. A scraper may be used, but **ONLY** when the food processor is not running and has been unplugged. Never feed food by hand. Always use the food pusher.
8. When finished processing the ingredients, **PLEASE turn the Speed Control Knob to the OFF position.** Then press the opening button(5) to unlock the swivel head. **You can not unlock the swivel head unless you turn the knob to the OFF position.**
9. Remove the chopping lid.(30)
10. Remove the chopping blades(28+29) first before removing the processed food.
11. Do not leave the appliance unattended when it is in the "ON" position.

Processing Examples

The processing times indicated are approximate and also depend on the quality of the food to be processed and degree of fineness you require.

Food Processing:

Product	Quantity	Recommended Level	Operation Times
Parsley	70 g	8-max.	10-20 sec
Carrot	400 g	8-max.	10-15 sec
Tomato(cut into 6 pcs.)	650 g	8-max.	5-10 sec
Fruit(cleaned&cut into 8 pcs.)	500 g	8-max.	15-20 sec
Hazelnut	300 g	8-max.	10-15 sec
Ice	300 g	pulse-max	15-20 dec

7) CLEANING AND MAINTENANCE

CAUTION : Make sure the unit is unplugged from power and operating button is on "OFF" position before cleaning

- * Never immerse the unit or cord or plug in water.
- * Clean the motor block with a damp cloth only.
- * Only the stainless steel blades can be washed in the dishwasher
- * All other parts can be cleaned in warm sudsy water using regular dishwashing liquid.

8) EASY STORAGE IDEAS

- * 4 pcs. Of slicing (18+19) and shredding blades(20+21)
- * 1 pcs. Of parmesan blade (22)
- * 1 pc. Of small French fries blade (23)
- * 1 pc. Of big French fries blade (24)
can be stored on the blades storage housing cover.(6)