



Russell Hobbs®

Elegantly modern, traditionally stylish.

INSTRUCTIONS AND WARRANTY



PORTABLE AIR CONDITIONER

MODEL NO.: RHAC12H

DESCRIPTION: Russell Hobbs Portable Aircon 12000 BTU

Congratulations on purchasing our Russell Hobbs portable aircon. Each unit is manufactured to ensure safety and reliability. Before using this appliance for the first time, please read the instruction manual carefully and keep it for future reference.

CONTENTS

IMPORTANT SAFEGUARDS.....	3
PLACEMENT AND STALLATION.....	5
COMPONENT PARTS.....	7
CONTROL PANEL.....	8
SCREEN.....	9
OPERATION METHODS.....	9
REMOTE CONTROL.....	11
WATER DAINAGE.....	13
MAINTENANCE.....	14
TROUBLE SHOOTING.....	15
WARRANTY.....	16

IMPORTANT SAFEGUARDS

Please read following safeguards carefully before using the machine:

- This machine is designed for domestic use, please do not use it in any other places.
- Please use this machine indoors not outdoors, and place it in a dry environment.
- Do not use the machine if the power cord, plug or machine becomes damaged.
If there is damage, please contact a professional serviceman for help. If there is a need to lengthen the power cord, an appropriate extension cord can be used, but please take care to ensure it does not create an accident risk.
- Please make sure the machine is placed far from heat sources and avoid direct sunlight.
- Please turn the machine off before removing the plug from the mains outlet.
- Please disconnect the plug before cleaning the machine, any service or repair work is carried out or if the unit is to be left unused.
- Please clean the machine following the guidance in this instruction manual.
- Please make sure the available voltage meets the products requirements, any damage caused by incorrect power supply is outside of the scope of the warranty.
- Do not let children touch the machine.
- Do not run the machine when no one is there, even if for a short period, please turn it off.
- Do not pull the power cord when removing the plug from the mains socket or moving the machine.
- Do not position the machine where it can become wet with water or other liquid.
- Do not squirt water or oil into machine.
- Do not put hard objects between fan blades.
- Do not repair the machine by yourself. Please refer to a qualified electrician or service agent for any repair work.
- Only use accessories from reliable suppliers to avoid risk of personal injury or damage to the machine.
- This appliance is not intended for use by persons (including children) with reduced physical, sensory or mental capabilities, or lack of experience and knowledge, unless they have been given supervision or instruction concerning use of the appliance by a person responsible for their safety.
- Children should be supervised to ensure that they do not play with the appliance.

Note :

- Place the machine on flat ground, at least 50cm from any objects that may restrict the air flow
- Make sure the mains socket can be reached from machine's location.
- Keep the machine upright so that compressor can work well.
- Do not run the machine near to gasoline or any other flammable liquids.
- Make sure there is free access of air-inlet and air-outlet.
- Do not spray agents (such as pesticides, paint) or other flammable materials near the machine, otherwise the plastic may become deformed, or electric damage may be caused.

Power supply

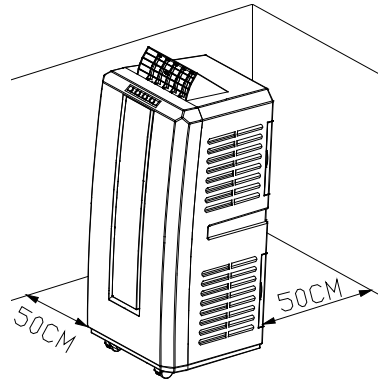
- Make sure the plug is not damaged.
- Do not use connectors instead of plug.
- Insert the plug into socket first, then turn on the sockets switch if available and then press "POWER" on the unit or remote control to run machine.

Please keep this user's manual safe.

Placement and Installation

Placement

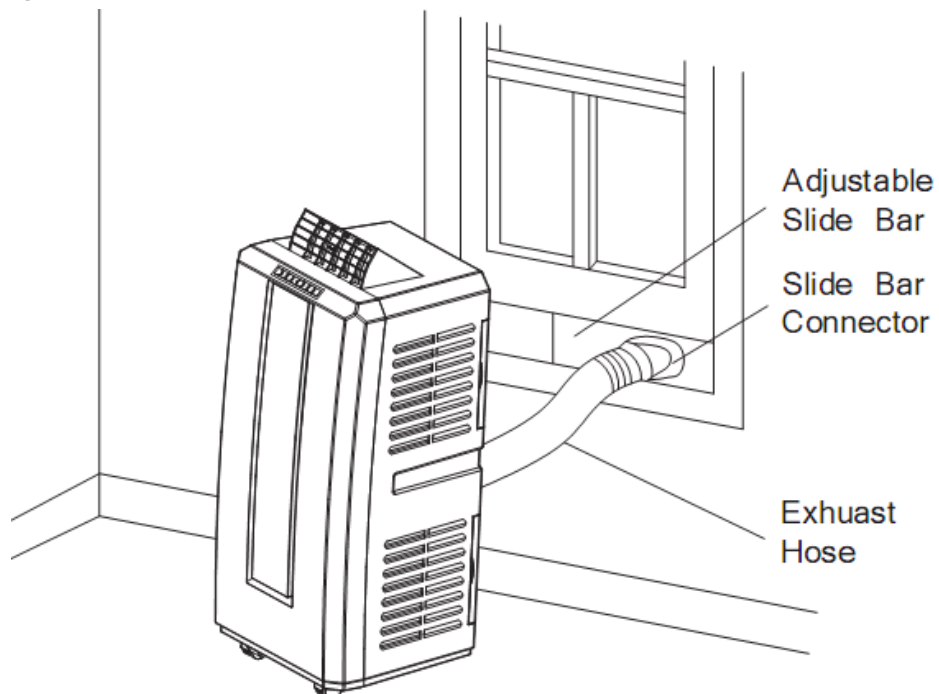
- Place the machine on flat and dry ground, and keep it at least 50cm from other objects. (fig.1)



(fig.1)

Installation

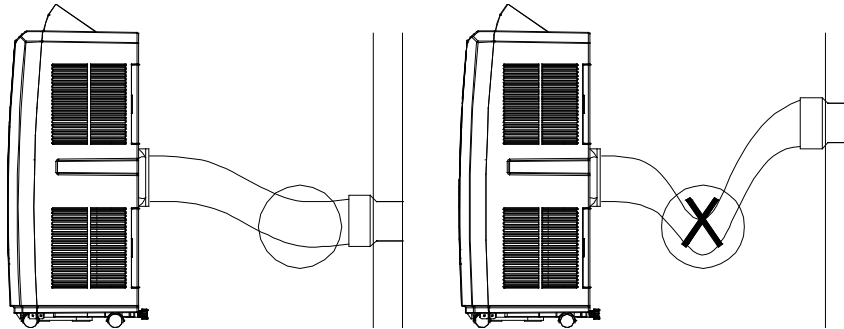
- Screw the slide bar connector into the exhaust hose first, then fit the exhaust hose into exhaust connector
- Put the slide bar connector into adjustable slide bar as shown below (fig.2) and close the window opening for a tight fit. Adjust the length of slide bar to close as much of the remaining opening as possible.



(fig.2)

Installation Errors

- The exhaust pipe must contain no sharp bends that may restrict the air flow. Installation errors may cause the unit to overheat and shut down. (fig.3)



(fig.3)

Warning

The length of the exhaust pipe is designed to suit the machine. To avoid poor performance or malfunction please do not alter, lengthen or change it with anything except an original replacement part.

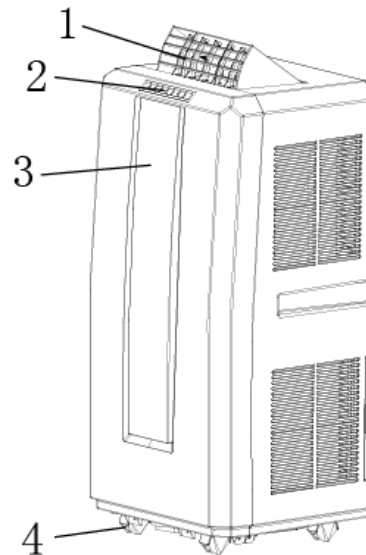
Note: maximum length of unfolding exhaust pipe is 1500mm, please shorten the length as much as possible and keep it level as much as possible when installing to optimize performance and minimize energy consumption.

COMPONENT

PARTS

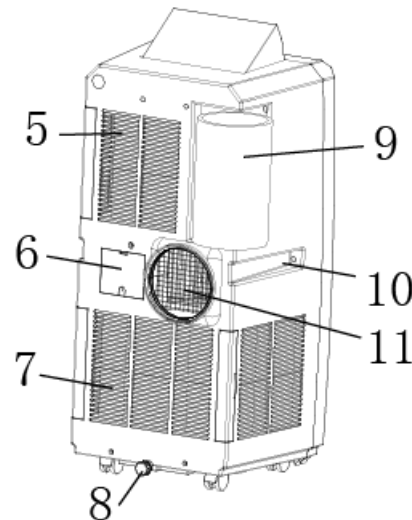
Front side

1. Air-outlet
2. Control Panel
3. Display Screen
4. Castors



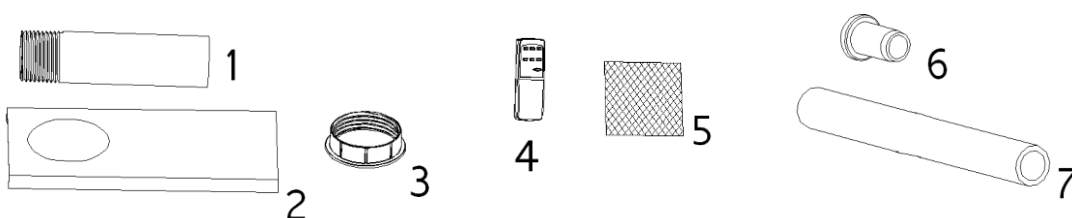
Back Side

5. Filter frame upper
6. Power Cord Storage Location
7. Filter frame lower
8. Water outlet Plug cap
9. Exhaust Pipe
10. Carry Handle
11. Exhaust Connector



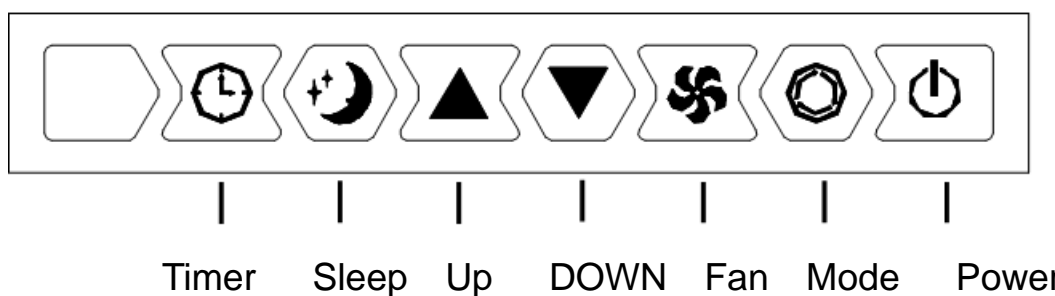
Check packing accessories, read user's manual to understand how to use them.

(fig.4)



1. Exhaust hose
2. Adjustable slide bar
3. Slide bar connector
4. Remote control
5. Active carbon filter (optional)
6. Drain connector
7. Drain tube (ID:10mm)

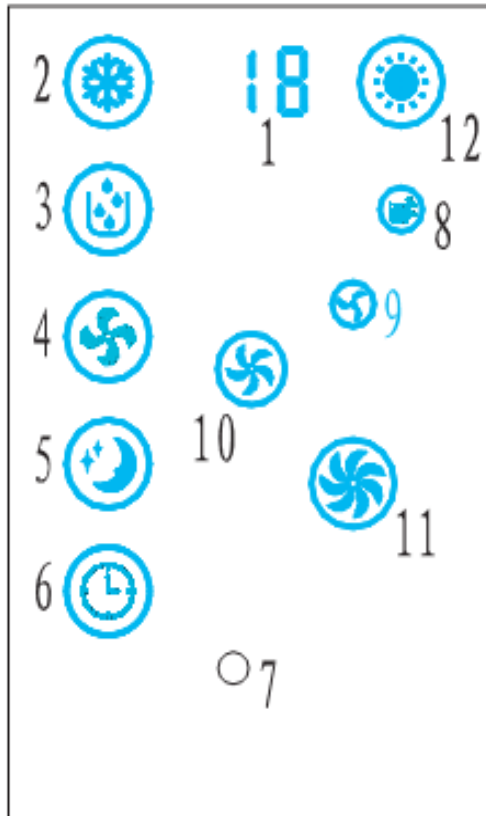
Control Panel



1. **POWER:** press this key to turn on/off machine. After machine turns on, default value is cooling mode with low fan speed.
2. **MODE:** after machine turns on, press this key to select cooling, dehumidifying, fan and heating mode.
3. **FAN:** after machine turns on, press this key to select fan speed (high, medium and low).
4. **DOWN:** under cooling or heating mode, press this key to downward setting temperature from 16~31°C.
5. **UP:** under cooling or heating mode, press this key to upward temperature from 16~31°C.
6. **SLEEP:** under cooling or heating mode, press this key to turn on/off sleeping function.
7. **TIMER:** under power-on or standby mode, press this key to setup on/off time from 1~24.

On –Unit Display Screen

1. Temperature display
2. Cooling mode indicator
3. Dehumidifying mode indicator
4. Fan only mode indicator
5. Sleeping mode indicator
6. Timer mode indicator
7. Infra red control signal receiver
8. Water full indicator
9. Low fan speed
10. Medium fan speed
11. High fan speed
12. Heating mode indicator



Operational Methods

Cooling mode

- When the machine is switched on, default value is cooling mode with 22°C and low fan speed.
- Press “ MODE” to select cooling mode, cooling mode indicator turns on .
- Press “ UP” or “ DOWN” to adjust temperature (from 16~31°C).
- Press “ FAN” to select fan speed (low, medium ,high)

Heat pump mode

- Press “MODE” to select heating mode, heating mode indicator turns on.
- Press “ UP” or “ DOWN” to adjust temperature (from 16~31°C).
- Press “ FAN” to select fan speed (low, medium ,high)

Note: When in heating mode, please connect a water-drainage-pipe to remove the water continuously.

Fan mode

- Press “MODE” to select fan mode, fan mode indicator turns on .
- Press “FAN” to select fan speed (low, medium, high)
- Temperature and sleeping function cannot be set.

Timer mode

- Under standby mode, press “TIMER” to setup the power-on time. Timer indicator turns on.
- Under power-on mode, press “TIMER” to setup power-off timer. Timer indicator turns on.

Dehumidifying mode

- Press “MODE” to select dehumidifying mode, dehumidifying mode indicator turns on.
- Under dehumidifying mode, sleeping function cannot be set, and fan speed is low.

Sleeping mode

- Gradually increase the set temperature in cooling mode and reduces it in heating mode so that the person sleeping will feel comfortable and energy consumption will be lower.
- Press key marked “SLEEP” to enter into sleeping mode, default value of fan speed is low.
- When sleeping mode turns on , under cooling mode, after the first hour, the set temperature will increase by 1°C, after the second hour the set temperature will go up another 1°C. The higher set point will not change further. In heating mode once the sleep mode is selected after one hour the set temperature will go down 1°C, after the second hour later the set temperature will go down another 1°C. The higher set point will not change further.
- Sleeping mode is invalid under dehumidifying and fan mode. When the water full indicator activates, if the machine is on standby or if the mode is changed, sleeping mode is cancelled .

Remote Control

Compressor protection

Three minutes later after power on or restart the compressor starts to run.

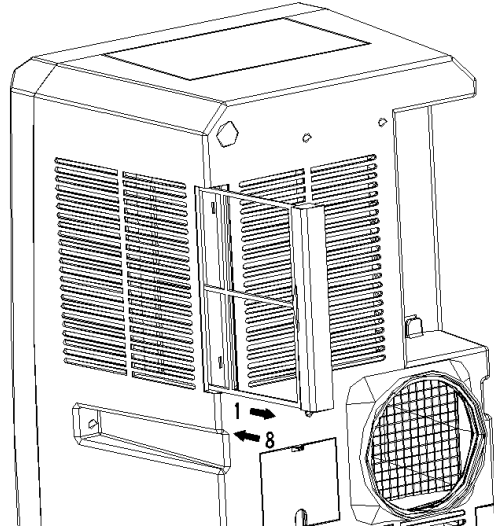
Remote Control with LCD

The functions of the remote control work the same as your air conditioner's touch controls

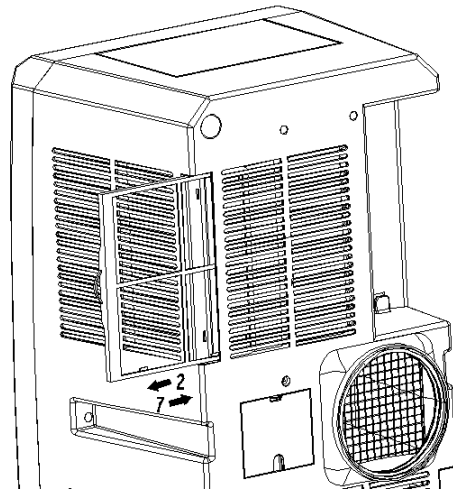


Installation of the filter (Carbon Filter Optional)

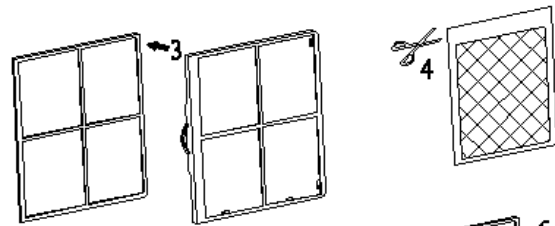
Remove the side filter frame from the unit.



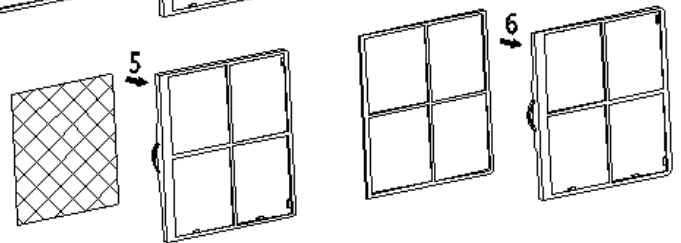
Remove the back filter frame from the unit.



Separate the filter fixer from the back filter frame.



Remove the active carbon filter from its plastic bag.



Insert the active carbon filter into the filter frame.


Fix the filter by re-assembling the fixer onto the filter frame.

Re-fit the back filter frame inside the unit.

Re-fit the side filter frame inside the unit.

Water Drainage

This machine has an auto-water-evaporating system. Condensed water is used to cool down the condenser, which not only improves cooling efficiency, but also saves energy.

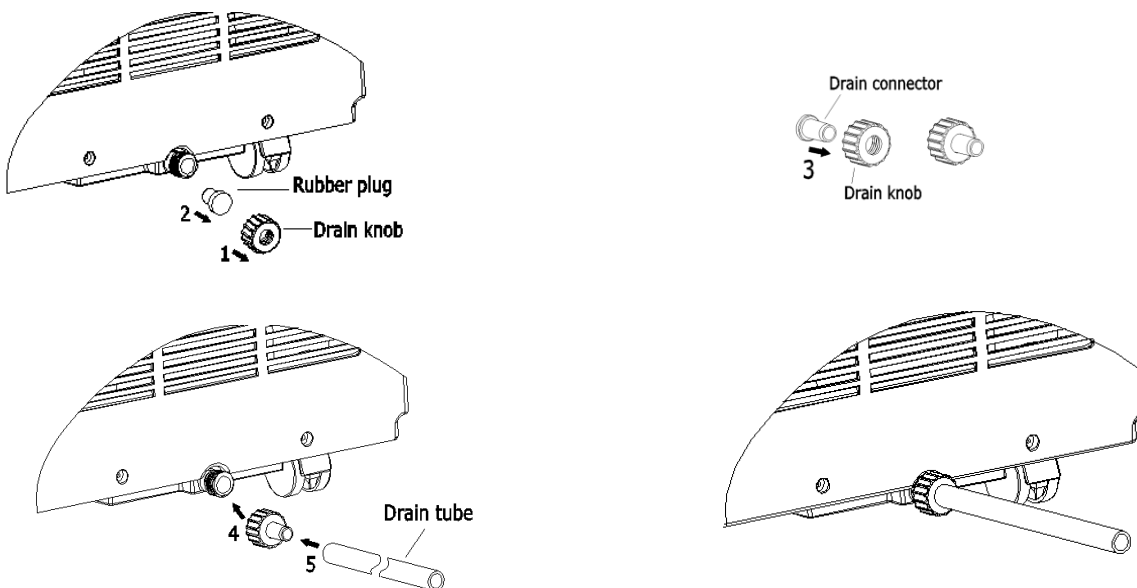
- If inner water tank is full, “” will flash on the screen . The machine enters into standby mode; buzzer sounds, compressor stops and all keys are deactivated invalid till machine returns to normal.
- Referring to the sketch below, unscrew the drain knob 1 at the back of the unit towards the bottom. Place a container near the outlet into which the water can drain. Pull out the rubber plug to empty out water. Power off the machine and restart it. The machine will run normally.

Special caution for heat pump function!

When in heating mode, if you wish to operate the unit without the need to empty the water tank, please connect a water-drainage-pipe to remove the water out continuously.

1. Remove the drain knob.
2. Remove the rubber plug and retain for future use
3. Fix the drain connector into the drain knob.
4. Fix the drain knob to the water outlet of the unit.
5. Connect the drain tube (Inside Diameter:10mm) to the water outlet as shown and locate the other end into a drain below the drain outlet..

Note: The water-container must be at or lower the outlet level



Maintenance

Note: in order to avoid electric shocks, please power-off the machine and pull out the plug from the mains supply before initiating maintenance or repairs.

Cleaning

- Please pull out the mains plug from the socket before cleaning .
- Use soft damp cloth to clean the machine. Do not use chemical agents, such as benzene, alcohol, gasoline and so on; otherwise the machine surface or the machine will be damaged.
- Do not splash water into the machine .

Cleanable Filters (All except Carbon which must be replaced when dirty to enable it to continue to neutralize odours)

- Clean the filters every two weeks, if filters are blocked by dust the machine's efficiency will be reduced .
- Clean the filters in warm water with a neutral detergent, then dry the cleaned filters on a shady place.

Note: Don't run the machine without washable filters.

End of Season Cleaning

If the machine will be unused for a long time, please do as following:

- Remove the drain knob and pull out the rubber plug let the water flow out.
- Let the machine run in fan mode for 2 hours to dry out the inside of the machine
- Turn off the machine and pull out mains plug .
- Clean and dry all filters, then reinstall them .
- Pull out exhaust pipe for safekeeping .
- Put the machine into plastic bag, and place it on a dry place.

Trouble Shooting

Please contact a professional serviceman without delay in following situations

Trouble	Cause	Solution
Machine does not work	Power off	Power on
	Water-full indicator is on	Drain water out
Machine auto-restarts frequently	Direct sunlight	Draw the curtains
	Door and windows are open, so too much heat is added to the room .	Close the door and windows, remove all un-necessary heat sources.
	Filters are too dirty.	Clean or replace filters
	Air-inlet or air out-let is blocked	Remove blockage
Too noisy	Machine is not sitting on level solid ground.	Place it on flat and solid ground to minimize shaking and rattles
Compressor cannot work	Compressor's 3 minute time-delay protection turns on	Wait for 3 minutes for the system to cool down and rebalance, and then restart the machine.

Note: when an abnormal events occur, turn off machine and pull out plug, then contact a professional for help.



This mark indicates that this product should not be disposed of with other household waste throughout the EU. To prevent possible harm to the environment or human health from uncontrolled waste disposal, recycle the unit responsibly to promote the sustainable reuse of material resources. To return your used device, please use the return and collection systems or contact the retailer where the product was purchased.

**PLEASE AFFIX YOUR PROOF OF PURCHASE/RECEIPT HERE
IN THE EVENT OF A CLAIM UNDER WARRANTY THIS RECEIPT MUST BE PRODUCED.**

WARRANTY

1. Tedelex Trading (Pty) Limited (“Tedelex”) warrants to the original purchaser of this product (“the customer”) that this product will be free of defects in quality and workmanship which under normal personal, family or household use and purpose may manifest within a period of 1 (one) year from the date of purchase (“warranty period”).
2. Where the customer has purchased a product and it breaks, is defective or does not work properly for the intended purpose, the customer must notify the supplier from whom the customer bought the product (“the supplier”) thereof within the warranty period. Any claim in terms of this warranty must be supported by a proof of purchase. If proof of purchase is not available, then repair, and/or service charges may be payable by the customer to the supplier.
3. The faulty product must be taken to the supplier’s service centre to exercise the warranty.
4. The supplier will refund, repair or exchange the product in terms of this warranty subject to legislative requirements. This warranty shall be valid only where the customer has not broken the product himself, or used the product for something that it is not supposed to be used for. The warranty does not include and will not be construed to cover products damaged as a result of disaster, misuse, tamper, abuse or any unauthorised modification or repair of the product.
5. This warranty will extend only to the product provided at the date of the purchase and not to any expendables attached or installed by the customer.
6. If the customer requests that the supplier repairs the product and the product breaks or fails to work properly within 3 (three) months of the repair and not as a result of misuse, tampering or modification by or on behalf of the customer, then the supplier may replace the product or pay a refund to the customer.
7. The customer may be responsible for certain costs where products returned are not in the original packaging, or if the packaging is damaged. This will be deducted from any refund paid to the customer.

TEDELEX TRADING (PTY) LTD

www.amap.co.za
011 490-9600 (Jhb)
031 792-6000 (Dbn)
021 535-0600 (CT)