



# Russell Hobbs

## INSTRUCTIONS AND WARRANTY



**MODEL NO. RHB03**

**RUSSELL HOBBS**

**MASTER BLENDER**

Thank you for purchasing the Russell Hobbs Master Blender. Each unit has been manufactured to ensure safety, reliability and ease of use. Before use, please read these instructions carefully and keep them for further reference.

## **FEATURES OF THE RUSSELL HOBBS MASTER BLENDER**

- 6 blades to break down ingredients more effectively
- Blades positioned on different levels results in improved blending efficiency
- Suitable for chopping, crushing ice, making smoothies, blending soups or puree's
- Powerful 800W motor
- 2L plastic jug capacity
- 2 speed settings with pulse
- 1 x whipping whisk for whipping cream, meringue or mousse
- Dishwasher safe parts
- Non-slip feet for added stability
- For domestic use only
- 2 year warranty

## **IMPORTANT SAFEGUARDS**

When using any electrical appliance, basic safety precautions should always be followed including the following:

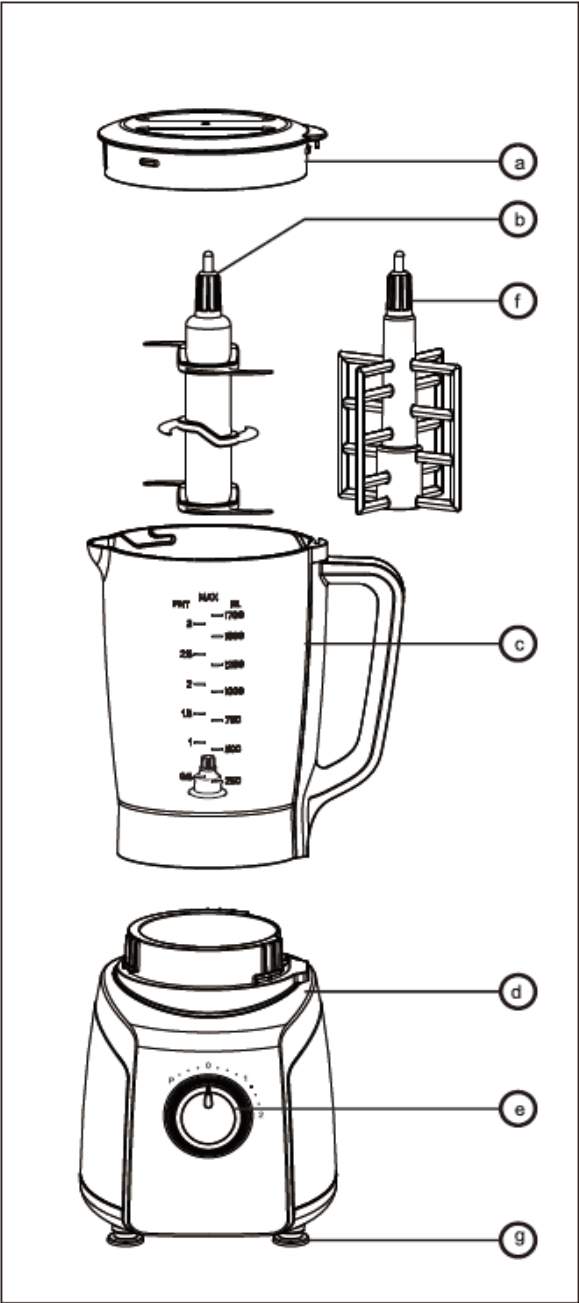
1. Read all instructions and save the instructions provided with this appliance.
2. Do not put the motor unit in water or any other liquid; do not use it in a bathroom or near any source of water.
3. Do not use outdoors.
4. The blender must be used only by a responsible adult.
5. Switch OFF and unplug the blender from the main power supply outlet before dismantling or cleaning.
6. Turn the switch to standby "0" / "OFF" before fitting/ removing the jug to/ from the motor/ base unit.
7. Turn the switch to standby "0" / "OFF" and wait until the blades come to a complete stop before removing the lid from the jug, and before removing the jug from the motor/ base

unit.

8. This appliance is not intended for use by persons (including children) with reduced physical, sensory or mental capabilities, or lack of experience and knowledge, unless they have been given supervision or instruction concerning use of the appliance by a person responsible for their safety.
9. Children should be supervised to ensure that they do not play with the appliance.
10. Do not use the blender without first locking the lid in place.
11. Be careful if hot liquid is poured into the appliance as it can be ejected out of the appliance due to a sudden steaming.
12. Do not use hot liquids.
13. Whisk attachment cannot be used with hot liquids in blender.
14. When handling the blade attachment, always hold it by the shaft.
15. Do not attempt to sharpen the blades.
16. Do not use the appliance if blade attachment is bent or damaged.
17. Do not put your hand into the jug, even when it has been removed for cleaning – the blades are very sharp.
18. Do not come into contact with moving parts.
19. To avoid an electrical shock, do not submerge the appliance or allow the power cord to come into contact with water or any other liquid.
20. Do not put any other object (spoon, spatula, etc.) into the jug while the blender is plugged in.
21. Do not leave the blender unattended when plugged in.
22. Do not operate this appliance on or near any hot surfaces (such as a gas or electric burner or heated oven).
23. Misuse of this appliance can result in injury.
24. Position the motor unit on a dry, firm, level surface, close to a power socket and out of reach of children.
25. Route the mains lead so that it cannot be caught accidentally or tripped over.
26. Keep the blender and the mains lead away from hotplates, hobs and burners.
27. Store the blender away from direct sunlight and fluorescent light where possible.
28. Do not let the jug overflow. If liquid gets under the motor unit, it may be sucked into the motor, damaging it.
29. Do not fill the jug above the MAX. mark. If you do, the contents may force the lid off when you start the motor.

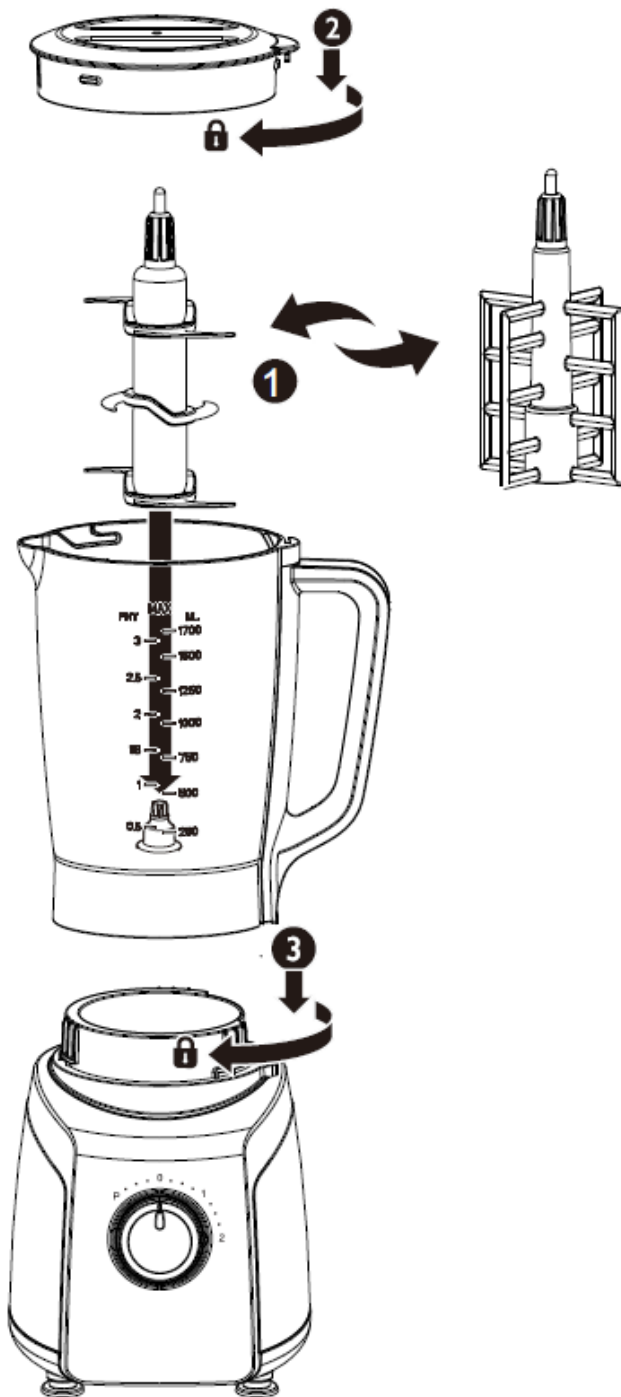
30. The blender is equipped with a powerful motor and therefore processes very quickly. Due to its efficiency, there is no need to run the motor for more than one minute at a time.
31. Do not run the motor for more than a minute, either continuously, or using the pulse setting, otherwise it may overheat. After one minute use, switch it off for at least 2 minutes allowing it to cool to room temperature and allowing it recover.
32. Do not use the blender for any purpose other than those described in these instructions.
33. Do not run the blender empty, as it may overheat.
34. Do not operate the blender after it malfunctions. If the mains lead or plug is damaged, return the blender to the manufacturer in order to avoid any hazard.
35. Children should be supervised to ensure that they do not play with the appliance.
36. Always turn the power off at the power outlet before you remove the plug. Remove by grasping the plug. Do not pull on the electrical cord.
37. This appliance is designed for processing household quantities; it is not suitable for commercial purposes. Use the appliance only for the purpose it was designed for.
38. Do not use this appliance if it or parts of it show visible damage or if the appliance has been dropped.
39. Do not attempt to make any modifications to this appliance.
40. To avoid any risk and to remain within warranty, repairs to this appliance must be carried out by an authorised service agent only.
41. To reduce the risk of injury, never place the blade assembly on the base without the jug properly attached.
42. If the supply cord is damaged, it must be replaced by the manufacturer, its authorised service agent or similarly qualified persons in order to avoid any hazard.
43. Switch off the appliance and disconnect from the power supply before changing accessories or approaching parts that move when in use.
44. Use only accessories provided by the manufacturer for this appliance.
45. Do not run this appliance with an external timer or remote control system.

**PARTS DIAGRAM**



- a. Lid
- b. 6-Blade attachment
- c. Jug
- d. Motor base
- e. Control knob
- f. Whisk attachment
- g. Non-slip feet

## ASSEMBLY INSTRUCTIONS



### Assembling steps

1. Place the 6 blades or whisk attachment into the jug.
2. Place the lid on the jug, the lock and unlock markings are on the right hand side of the jug handle. Rotate it to the left to lock. When the prominent position is right against the handle. Then the lid is correctly fitted.
3. Put the jug on motor base, rotate it to left and make sure the triangle marking on handle is opposite to the lock marking on motor base. The jug would then be in the right position.

**Caution: When placing the jug on the motor base or removing it, ensure that you do not touch the blades as they are very sharp!**

## **OPERATING INSTRUCTIONS**

1. Place the motor base on a clean, dry, level surface such as a counter or table top.
2. Hold the 6-blade/whisk attachment by the shaft then place it onto the gear shaft inside the jug.
3. Ensure that the attachment fits perfectly around the gear shaft and that it is standing straight.
4. Ensure the unit is off before adding the ingredients and secure the lid onto the jug. Do not exceed maximum level mark.
5. Place the jug onto the motor base.
6. Plug the power cord into the electrical outlet and select the speed to start the machine.
7. Don't remove the lid from the jug while the blender is ON.
8. Operate the preferred speed setting for **1 minute**.
9. Let the product and mixture cool down to room temperature before next usage.
10. After using the blender, always move the switch into the '0' setting and remove the mains plug from the power outlet.
11. To remove the jug just turn it in an anti-clockwise direction and then lift it up.

### **Pulse Function**

The pulse function will give you a short burst at maximum speed, regardless of the current speed of the blades. The button is spring-loaded. When you stop pressing, it will return to the speed the switch is pointing at.

### **Crushing Ice**

Before using the blender to crush ice, make sure it is clean and rinse it out thoroughly. Any remaining trace of detergent may affect the taste of the crushed ice and will flatten any drink to which it has been added.

Ice cubes come in many shapes and sizes. You will have to experiment with the ice from your ice cube tray. Insert a maximum of 8 ice cubes and add 15ml (1 tablespoon) of fresh cold water. Put the lid on the blender and turn the control knob to "P". While the unit is blending, hold for 2 seconds and release for 2 seconds. Note that too much blending will reduce the ice to

liquid, too little will merely chip the edges/corners off the ice. Do not try to crush ice without adding water to the jug.

Do not be tempted simply to increase the amount of ice and blend for longer – this will not work. Too much ice will never give you satisfactory results.

### **Adding Ingredients**

If you need to add ingredients while the blender is working, lift the lid off, pour the new ingredients then re-place the lid. Make sure that the added ingredients do not push the volume in the jug past the MAX. mark.

### **Tips for Using Your Blender**











- Do not blend dry, thick or heavy mixtures for more than 60 seconds continuously. Let the appliance cool down before you continue operating the appliance again.
- Do not place the lid into boiling water as it may deform.
- To achieve the best results when pureeing solid ingredients, place small portions into the jug one by one instead of placing a large quantity all at once.
- If you are processing solid ingredients, cut them into small pieces first (2-3cm).
- When mixing solid ingredients start off first with a small amount of liquid. Gradually add more and more liquid.
- For stirring solid or very thick liquid ingredients we recommend that you use the blender in pulse mode to prevent the blades from becoming stuck.
- Always place your hand on top of the blender when you are operating the device.
- Be careful when processing lukewarm liquids.

### **CLEANING AND MAINTENANCE**

- This appliance is for household use only and is not user-serviceable.
- Do not open or change any parts by yourself. Please refer to an authorized electrical service department or return to the supplier if servicing is necessary.
- Always remember to unplug the unit from the electrical outlet when not in use and before cleaning.



- Do not use bleach or other abrasive substance or solvents to clean your appliance as it can be damaging to the finish.
- Do not immerse the whole unit in water or any other liquid, or hold it under a running tap to clean.
- Unplug the blender from the mains before cleaning and storing away.
- Clean soon after use, to prevent residues settling inside the jug.
- Remove the jug from the motor unit. Wash the jug, lid and measuring cup in warm soapy water, rinse well, then turn the jug upside down to drain and dry.
- Keep hands out of the jug – BLADES ARE VERY SHARP.
- If it is left for too long without cleaning and bits have glued themselves to the inside of the jug, use a nylon brush to remove. If this does not work – crush a few ice cubes in it.
- Wipe the outside of the motor unit with a clean damp cloth.
- Do not put the motor unit in water or any other liquid.

|   |  |  |  |   |  |  |  |
|---|--|--|--|---|--|--|--|
|  | ✓  | ✓  | ✓  |  | ✓  | ✓  | ✓  |
|  | ✗  | ✗  | ✓  |  | ✓  | ✓  | ✗  |

**Quick cleaning of the jug -**

Empty the glass jug and fill it with water. Place the jug on the motor and turn the switch several times to the 'P' setting. Empty the glass jug and rinse until clean.

**Thorough cleaning of the dismantled jug -**

Ensure that the jug is completely empty before you unscrew the blade assembly. Be careful when handling the blade. All removable parts are suitable for the dishwasher. Note that the dishwasher can affect the surface finishes. Do not use harsh or abrasive cleaning agents or -

solvents.

## STORING THE APPLIANCE

- Unplug the unit from the wall outlet and clean all the parts as instructed above. Ensure that all parts are dry before storing.
- Store the appliance in its box or in a clean, dry place.
- Never store the appliance while it is still wet or dirty.
- Never wrap the power cord around the appliance.

## TROUBLE SHOOTING

| Item  | Problem                                   | Solution  |
|---|---|---|
| 1   | Product does not work                     | <ul style="list-style-type: none"><li>- Ensure that it is correctly assembled.</li><li>- Make sure the plug is connected to the power source.</li></ul> |
| 2   | Product suddenly stopped running          | <ul style="list-style-type: none"><li>- The jug or lid may have loosened during vigorous processing. Please re-install the jug or lid.</li></ul>        |
| 3   | Product produces an odor during operation | <ul style="list-style-type: none"><li>- The product may have been operating for too long, please stop using the product and let it cool down.</li></ul> |
| Please note: If none of the above can solve the problem, please stop using the product and send it back to the service agent. |   |   |

## SERVICING THE APPLIANCE

There are no user serviceable parts in this appliance. If the unit is not operating correctly, please check the following:

- You have followed the instructions correctly
- That the unit has been wired correctly and that the wall socket is switched on.
- That the mains power supply is ON.
- That the plug is firmly in the mains socket.

If the appliance still does not work after checking the above:

- Consult the retailer for possible repair or replacement. If the retailer fails to resolve the problem and you need to return the appliance, make sure that:

- The unit is packed carefully back into its original packaging.
- Proof of purchase is attached.
- A reason is provided for why it is being returned.

If the supply cord is damaged, it must be replaced by the manufacturer or an authorised service agent, in order to avoid any hazard. If service becomes necessary within the warranty period, the appliance should be returned to an approved Home of Living Brands (Pty) Limited service centre. Servicing outside the warranty period is still available, but will, however, be chargeable.

### CHANGING THE PLUG

Should the need arise to change the fitted plug, follow the instructions below.

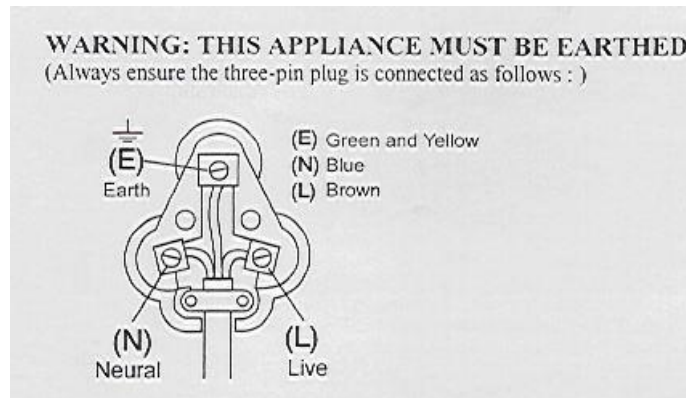
**This unit is designed to operate on the stated current only. Connecting to other power sources may damage the appliance. Connect a three-pin plug as follows:**

The wires in this mains lead are coloured in accordance with the following code:

Green/Yellow = Earth

Blue = Neutral

Brown = Live



If the mains cord **does not** have a green and yellow wire then do not connect anything to the Earth pin.

**PLEASE AFFIX YOUR PROOF OF PURCHASE/RECEIPT HERE  
IN THE EVENT OF A CLAIM UNDER WARRANTY THIS RECEIPT MUST BE PRODUCED.**

**2 YEAR WARRANTY**

*1 year retail | 1 year extended  
warranty upon registration\*  
visit [www.russellhobbs.co.za](http://www.russellhobbs.co.za)*

**W A R R A N T Y A N D E X T E N D E D W A R R A N T Y**

1. Home of Living Brands (Pty) Limited ("Home of Living Brands") warrants to the original purchaser of this product ("the customer") that this product will be free of defects in quality and workmanship which under normal personal, family or household use and purpose may manifest within a period of 1 (one) year from the date of purchase ("warranty period").
2. Home of Living Brands shall extend the warranty period for a further period of 1(one) year ("extended warranty period\*"), on condition that the purchaser registers the product on the website, within 12 months from the date of purchase of the product. The website address for registration is as follows: <http://russellhobbs.co.za/info-pages/warranty-info.aspx>. The extended warranty period only applies to products purchased on or after 1 October 2017.
3. Where the customer has purchased a product and it breaks, is defective or does not work properly for the intended purpose, the customer must notify the supplier from whom the customer bought the product ("the supplier") thereof within the warranty period or if applicable, the extended warranty period. Any claim in terms of this warranty must be supported by a proof of purchase. If proof of purchase is not available, then repair, and/or service charges may be payable by the customer to the supplier.
4. The faulty product must be taken to the supplier's service centre to exercise the warranty.
5. The supplier will refund, repair or exchange the product in terms of this warranty subject to legislative requirements. This warranty shall be valid only where the customer has not broken the product themselves, or used the product for something that it is not supposed to be used for. The warranty does not include and will not be construed to cover products damaged as a result of disaster, misuse, tamper, abuse or any unauthorised modification or repair of the product.
6. This warranty will extend only to the product provided at the date of the purchase and not to any expendables attached or installed by the customer.
7. If the customer requests that the supplier repairs the product and the product breaks or fails to work properly within 3 (three) months of the repair and not as a result of misuse, tampering or modification by or on behalf of the customer, then the supplier may replace the product or pay a refund to the customer, subject to the supplier's discretion.
8. The customer may be responsible for certain costs where products returned are not in the original packaging, or if the packaging is damaged. This will be deducted from any refund paid to the customer.

**HOME OF LIVING BRANDS (PTY) LTD (JOHANNESBURG)**

JOHANNESBURG  
CAPE TOWN  
DURBAN

TEL NO. (011) 490-9600  
TEL NO. (021) 552-5161  
TEL NO. (031) 303-1163

[www.homeoflivingbrands.com](http://www.homeoflivingbrands.com)  
[www.russellhobbs.co.za](http://www.russellhobbs.co.za)  
[www.facebook.com/RussellHobbsSA](https://www.facebook.com/RussellHobbsSA)