



# Russell Hobbs

## INSTRUCTIONS and WARRANTY



**MODEL NO. RHCFP**

**Russell Hobbs Cordless Rechargeable Food Processor**

Extend your 1 year retail warranty to an additional  
1 year by registering your purchase here:



**Congratulations on purchasing your  
Russell Hobbs Cordless Rechargeable Food Processor**

Each unit is manufactured to ensure safety and reliability. Before using this appliance for the first time, please read the instruction manual carefully and keep it for future reference.

**FEATURES OF THE RUSSELL HOBBS CORDLESS RECHARGEABLE FOOD  
PROCESSOR**

- Bringing versatility, efficiency and effortless food preparation to your kitchen
- Dual speed control
- Four durable stainless-steel chopper blades
- Reversible slicing/shredding disc
- Generous 3 cup bowl capacity
- Up to 65 Minutes of run time
- For domestic use only
- 2-Year warranty (1 year retail • 1 year extended upon online registration of product • visit [www.russellhobbs.co.za](http://www.russellhobbs.co.za))

**IMPORTANT SAFEGUARDS**

When using any electrical appliance, basic safety precautions should always be followed including the following:

1. Please read the instructions carefully before using any appliance.
2. Always ensure that the voltage on the rating label corresponds to the mains voltage in your home.
3. Incorrect operation and improper use can damage the appliance and cause injury to the user.
4. The appliance is intended for household use only. Commercial use invalidates the warranty and the supplier cannot be held responsible for injury or damage caused when using the appliance for any other purpose than that intended.
5. Avoid any contact with moving parts.
6. This appliance is not intended for use by persons (including children) with reduced physical, sensory or mental capabilities, or lack of experience and knowledge, unless they have been given supervision or instruction concerning the use of the appliance by a person responsible for their safety.
7. Children should be supervised to ensure that they do not play with the appliance.
8. Check the power cord regularly for any damage. If the cord is damaged, the manufacturer or a qualified person must replace it in order to avoid an electrical hazard.

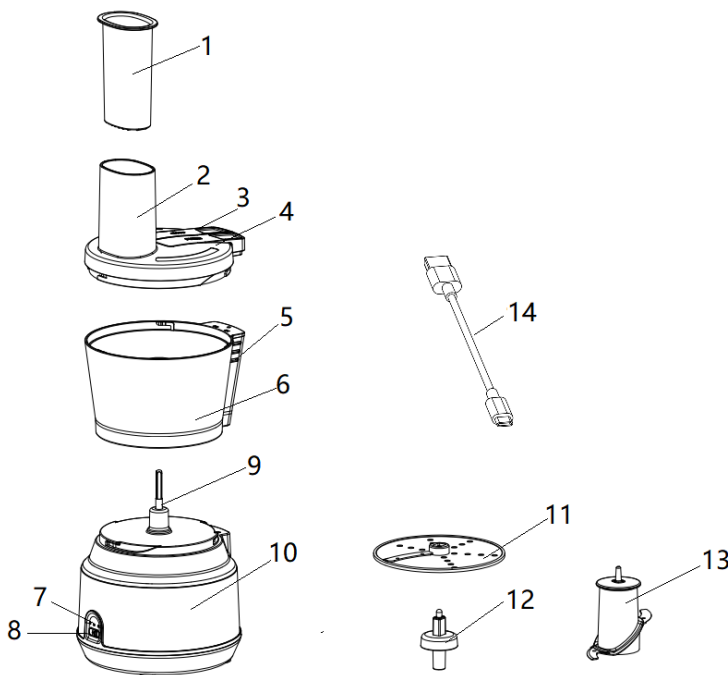
9. Do not use the appliance if it has been dropped or damaged in any way. In case of damage, take the unit in for examination and/or repair by an authorised service agent.
10. Do not use harsh abrasives, caustic cleaners or oven cleaners when cleaning this appliance.
11. To reduce the risk of electric shock, do not immerse or expose the body, plug or the power cord to water or any other liquid.
12. Detach the Type-C cable from the socket by grasping the plug. Avoid pulling on the cord to disconnect the appliance from the power source.
13. A short cord is provided to reduce the hazards resulting from becoming entangled in or tripping over a longer cord.
14. Do not let the cord hang over the edge of a table or counter. Ensure that the cord is not in a position where it can be pulled on inadvertently.
15. Do not allow the cord to touch hot surfaces and do not place on or near a hot gas or electric burner.
16. Do not use the appliance on a gas or electric cooking top or over or near an open flame.
17. Use of an extension cord with the appliance is not recommended. However, if it is necessary to use an extension lead, ensure that the lead is suited to the power consumption of the appliance to avoid overheating of the extension cord, appliance or plug point. Do not place the extension cord in a position where it can be pulled on by children or animals or be tripped over.
18. This appliance is not suitable for outdoor use.
19. Do not carry the appliance by the charging cable.
20. Do not leave the appliance unattended during use.
21. The manufacturer does not accept responsibility for any damage or injury caused by improper or incorrect use, or for repairs carried out by unauthorised personnel.
22. In case of technical problems, switch off the machine and do not attempt to repair it yourself. Return the appliance to an authorised service facility for examination, adjustment, or repair. Always insist on the use of original spare parts. Failure to comply with the above-mentioned precautions and instructions, could affect the safe operation of this machine.
23. Take caution as attachments are interchangeable and blades are sharp. Use extreme caution when handling the blades. Always hold the blades by the base of the blade assembly.
24. Do not use accessories or attachments other than those supplied with the unit.
25. Do not process hot foods or hot liquids.
26. Never attempt to remove the cup while the appliance is still running.
27. Never leave the appliance unattended while in use.
28. Remove all packaging material and labels from the appliance.

29. Attachments are all dishwasher safe. It is recommended that the attachments be placed on the top rack. Ensure that the attachments are removed from the appliance before placing in the dishwasher.

**CAUTION:**

- To prevent the risk of severe injury to individuals or damage to the unit, keep hands, hair, clothes, and utensils away from the beaters and out of the bowl while mixing.
- After switching off the appliance, be aware that the beaters or whisk may continue to spin for a brief period. Make sure they have completely stopped before removing the attachments.
- Exercise caution when attaching or removing attachments from the appliance. Ensure the appliance is turned off and unplugged while fitting attachments.
- Use the appliance in intervals of no more than 3 minutes. Allow a few minutes of rest before the next use.
- This product is intended for uses specified in this booklet only. Do not use for any other purposes.

**WARNING:** Always disconnect the USB cable from the Food Processor before use.



**PARTS DIAGRAM**

1. Food pusher
2. Chopping bowl cover with feed tube
3. Chop button
4. Puree button
5. Chopping bowl handle
6. Detachable chopping bowl (3 cup)
7. Battery indicators
8. Charger port and charger port cover
9. Drive shaft
10. Motor housing
11. Reversible slicing/shredding disc
12. Drive adapter
13. Multipurpose stainless steel blade
14. USB C cable

## BEFORE FIRST USE

- Begin by unpacking the motor housing unit and all associated components with care. Remove any tape, labels, or packaging materials.
- Thoroughly clean all product components, excluding the motor housing unit, using warm, soapy water. Rinse and dry them meticulously.
- To eliminate dust particles that may have accumulated during packing and handling, use a soft, damp cloth to wipe down the exterior surfaces of the motor housing.
- Ensure that all components are correctly assembled and in their designated positions before proceeding with usage.

**IMPORTANT:** Do not submerge the motor housing, charging cord, or charger adapter in water or any other liquid under any circumstances.

## CHARGING THE UNIT

- Open the charging port located on the motor housing. Connect the micro end of the charging cord to the motor housing.
- Attach the USB connector (the larger end) of the charging cord to the charger adapter (not included).
- Insert the charger adapter into a wall outlet.
- The indicator lights will flash during the charging process and will cease flashing once the unit is completely charged. For further details on the indicator lights, please refer to the Indicator Light section.
- For optimal performance, it is advisable to fully charge it before first use. The unit will take approximately 2 hours to reach a full charge.

**Note:** The unit is shipped with approximately 30% battery charge. During use, one or two lights will be illuminated, and the unit will operate correctly without charging. However, for optimal performance, it is advisable to fully charge the unit before first use.

## ASSEMBLING THE FOOD PROCESSOR

1. Begin by placing the Food Processor on a level surface. The rubber feet will prevent the unit from slipping during operation. Position the container onto the base, ensuring that the plastic tabs on the container's bottom inner rim align with the locking slots on the base. Hold the top of the container, apply slight pressure, and turn the chopping bowl until the tabs securely lock into place.
2. Slide the blade hub over the container shaft. **CAUTION:** Exercise care when installing the blade hub, as the blade is extremely sharp.
3. Cover the container with the lid, pressing down gently. Rotate the lid clockwise until the extended tab with buttons on the lid aligns with the extended tab on the chopping bowl. Listen for the snapping sound, indicating that the lid is securely locked onto the chopping bowl.

**NOTE:** For safety purposes, this unit features an interlock system preventing operation if the lid is removed. The unit will only function if the extended tab with buttons on the lid is correctly positioned on the chopping bowl container. Do not attempt to start the unit unless the lid is correctly placed and locked.

### **USING THE FOOD PROCESSOR (Multipurpose Stainless Steel Blade):**

This food processor can function just like a conventional food processor, but without the need for a cord!

1. Remove the lid and place up to 3 cups of dry food into the container. Adjust the quantity based on the type of food, as amounts may vary. For processing large amounts of food, consider dividing them into smaller portions.
2. Secure the lid, ensuring it is firmly locked into place.
3. This food processor features two speeds: "Puree" and "Chop." For a coarser finish, press and hold the "Chop" button for the desired duration. Release the button, and the chopper will cease operation. Exercise caution to avoid over-processing, as most food chopping typically takes less than 6 seconds.
4. For a smoother, more processed result, press and hold the "Puree" button for the desired duration. Once again, release the button, and the chopper will stop. In case the chopper fails to operate, double-check that the container and lid are correctly locked into place. Wait for the blade to come to a complete stop before removing the lid.

### **GUIDE TO USE**

<b>Food</b>	<b>Maximum Amount</b>	<b>Approx. time (in seconds)</b>
Bread	1-2 Slices	Chop button: 5 to 7 seconds
Parsley/Herbs	Handful	Chop button: 30 seconds
Onion	1-2 Small	Chop button: 4 to 6 seconds
Garlic	1 or more large cloves	Puree button: 5 to 7 seconds
Mushrooms	4 Small	Chop button: 3 seconds
Pepper	1 Medium	Chop button: 5 to 6 seconds
Eggs (Hard Boiled)	Up to 3 eggs	Chop button: 4 to 6 seconds
Chocolate Square	1 or 2 pieces	Chop button: 6 to 8 seconds
Carrots	1/2 Cup	Chop button: 6 to 8 seconds

## **USING THE FOOD PROCESSOR (Installing the reversible slicing/shredding disc)**

1. Position the drive adapter in the chopping bowl, lowering it onto the drive pin.
2. For slicing: Turn the disc so that the raised slicing blade is facing upward.
3. For shredding: Turn the disc so that the small, raised shredding blades are facing upward.
4. Hold the disc by its centre hub and lower it into the drive adapter, ensuring the mark on the centre hub aligns with the corresponding mark on the adapter. Once correctly placed, the disc should be level with the top of the bowl.
5. Secure the lid, ensuring it is firmly locked into place. This food processor operates at two speeds - "Puree" and "Chop." Achieve a coarser finish by pressing and holding the "Chop" button for the desired duration.
6. Release the button to stop the chopper.
7. Wait until the blade or disc comes to a complete stop before removing the chopping bowl cover.
8. Lift the chopping bowl off the base to extract food from the bowl using a spatula.

**Note:** Avoid using the chopper continuously for more than 3 minutes. Extended use may lead to overheating. Allow the unit to rest for at least 5 minutes before resuming operation. The indicator lights will gradually diminish as the battery life decreases. A fully charged unit will display all three lights. When only the lowest light is illuminated and flashing, this indicates that the unit needs to be charged.

## **OVERLOAD PROTECTION**

Please take note: The motor housing is equipped with an automatic protection system that prevents overloading. In the event of an excessively heavy load, the unit will automatically shut off. If the system detects an overload, all three indicator lights will flash five times, and the unit will power off. To reset it, press the speed button, and the lights will turn off. Reduce the load within the blender or chopper, allow it to rest for at least 15 minutes, and then resume usage.

It is essential to avoid exposing the battery pack or appliance to fire or extreme heat. Exposure to fire or temperatures exceeding 130°C can lead to an explosion. Please exercise caution in this regard.

## INDICATOR LIGHTS

The indicator lights on the motor housing serve to provide feedback for various situations -

### BATTERY STATUS WHILE IN USE:

As the motor housing is utilized and the battery undergoes depletion, the indicator lights will gradually extinguish in a top-to-bottom sequence, representing the remaining battery capacity:

- 66% to 100% of capacity: All three lights (1, 2, and 3) will remain illuminated.
- 33% to 65% of capacity: Lights 1 and 2 will remain illuminated.
- 20% to 30% of capacity: Only light 1 will stay illuminated.
- If <20% of capacity: Light 1 will flash, signalling that the unit requires charging.

### CHARGING STATUS INDICATION:

The indicator lights will also convey information during the charging process as follows:

- If the battery capacity is less than 33%, all three lights (1, 2, and 3) will flash while charging.
- If the battery capacity falls within the range of 33% to 65%, light 1 will remain steadily illuminated, while lights 2 and 3 will flash.
- When the battery capacity falls within the range of 66% to 99%, lights 1 and 2 will be solidly illuminated, and only light 3 will flash.
- If the battery capacity is greater than 99%, all three lights (1, 2, and 3) will be steadily illuminated.

## CLEANING THE APPLIANCE

**Note:** Avoid placing the motor housing or chopper collar in the dishwasher. Wipe the motor housing and chopper collar dry, or allow them to air dry before storing. Do not use abrasive cleaners or steel wool.

**NEVER IMMERSE THE MOTOR HOUSING, CHARGER ADAPTER, OR CHARGING CORD IN WATER OR ANY OTHER LIQUID.** Additionally, refrain from placing the motor housing or chopper collar in the dishwasher. However, the chopping blade, chopping bowl, and lid can be safely placed in the dishwasher. Again, avoid using abrasive cleaners or steel wool during the cleaning process.

## STORING THE APPLIANCE

- Ensure all parts are clean and dry before storing. Never store the unit while it is still wet.
- The unit can be stored for up to 3 months in a fully charged state. If storing for longer than 3 months, charge the unit before the next use.
- Store in a dry area with an ambient temperature of 5°C - 35°C.



## **SERVICING THE APPLIANCE**

There are no user serviceable parts in this appliance. If the unit is not operating correctly, please check the following:

- You have followed the instructions correctly.
- That the unit has been wired correctly and that the wall socket is switched on (when charging).
- That the mains power supply is ON (when charging).
- That the plug is firmly in the mains socket.

If the appliance still does not work after checking the above:

Consult the retailer for possible repair or replacement. If the retailer fails to resolve the problem and you need to return the appliance, make sure that:

- The unit is packed carefully back into its original packaging.
- Proof of purchase is attached.
- A reason is provided for why it is being returned.
- If the supply cord is damaged, it must be replaced by the manufacturer or an authorised service agent, in order to avoid any hazard. If service becomes necessary within the warranty period, the appliance should be returned to an approved Home of Living Brands (Pty) Limited service centre. Servicing outside the warranty period is still available, but will, however, be chargeable.

**PLEASE AFFIX YOUR PROOF OF PURCHASE/RECEIPT HERE**

**IN THE EVENT OF A CLAIM UNDER WARRANTY THIS RECEIPT MUST BE PRODUCED.**

### **1 YEAR STANDARD WARRANTY**

*Warranty will be extended for another year if you register your product online within 12 months of purchase (visit <https://russellhobbswarranty.co.za/> )*

### **W A R R A N T Y AND EXTENDED WARRANTY**

1. Home of Living Brands (Pty) Limited ("Home of Living Brands") warrants to the original purchaser of this product ("the customer") that this product will be free of defects in quality and workmanship which under normal personal, family or household use and purpose may manifest within a period of 1 (one) year from the date of purchase ("warranty period").
2. Home of Living Brands shall extend the warranty period for a further period of 1(one) year ("extended warranty period\*"), on condition that the purchaser registers the product on the website, within 12 months from the date of purchase of the product. The website address for registration is as follows: <https://russellhobbswarranty.co.za/>.
3. Where the customer has purchased a product and it breaks, is defective or does not work properly for the intended purpose, the customer must notify the supplier from whom the customer bought the product ("the supplier") thereof within the warranty period or if applicable, the extended warranty period. Any claim in terms of this warranty must be supported by a proof of purchase. If proof of purchase is not available, then repair, and/or service charges may be payable by the customer to the supplier.
4. The faulty product must be taken to the supplier's service centre to exercise the warranty.
5. The supplier will refund, repair or exchange the product in terms of this warranty subject to legislative requirements. This warranty shall be valid only where (a) the customer is not the cause of the product breaking, and (b) the product has been used for the intended purpose stipulated in the product manual. The warranty does not include and will not be construed to cover products damaged as a result of disaster, misuse, tamper, abuse or any unauthorised modification or repair of the product.
6. This warranty will extend only to the product provided at the date of the purchase and not to any expendables attached or installed by the customer. In this regard any accessories supplied with the product by the supplier, may be excluded in this warranty or extended warranty (see Exclusions to Warranty and Extended Warranty document).
7. If the customer requests that the supplier repairs the product and the product breaks or fails to work properly within 3 (three) months of the repair and not as a result of misuse, tampering or modification by or on behalf of the customer, then the supplier may replace the product or pay a refund to the customer, subject to the supplier's discretion.
8. The customer may be responsible for certain costs where products returned are not in the original packaging, or if the packaging is damaged. This will be deducted from any refund paid to the customer.

**HOME OF LIVING BRANDS (PTY) LTD (JOHANNESBURG)**

NATIONAL CONTACT:

TEL NO. (087) 245-0029

[www.homeoflivingbrands.com](http://www.homeoflivingbrands.com)

[www.russellhobbs.co.za](http://www.russellhobbs.co.za)

[www.facebook.com/RussellHobbsSA](https://www.facebook.com/RussellHobbsSA)

*EXCLUSIONS TO WARRANTY AND EXTENDED WARRANTY*

1. Any accessories supplied with the product, including but not limited to, bowls, jugs, mills or carafes made either of glass or plastic and supplied with this appliance (hereinafter referred to as "the accessory or accessories"), is warranted to be free from material and workmanship defects for the duration of the appliance warranty.
2. The accessories should give trouble free service when used in accordance with the directions described in the instruction manual. However, the accessories will be damaged if subjected to impact, and this damage is not covered by the warranty. Such impact damage can occur either from the outside (if for example it is dropped or knocked against a hard surface), or from within (if for example foreign objects are placed within the accessories and the power is switched on).
3. Should you need to replace an accessory during the warranty period; a claim for a free replacement will only be considered if the item (including all shards and broken parts) is returned to the nearest HOLB service centre for examination.
4. The remains of the accessory will be carefully examined by the relevant professionals and if it is determined (at the sole discretion of HOLB) that the damage was caused by impact, then the claim will be refused and will not be covered by the warranty or any extended warranty.
5. Any replacement part provided in terms of clause 4 above will become a chargeable item payable by the customer.