



# Russell Hobbs

**INSTRUCTIONS AND WARRANTY**



**MODEL NO. RHCIM15**

**RUSSELL HOBBS CLEAR 15KG SQUARE ICE MAKER**

Congratulations on purchasing our Russell Hobbs Clear 15kg Square Ice Maker. Each unit is manufactured to ensure safety and reliability. Before using this appliance for the first time, please read the instruction manual carefully and keep it for future reference.

## **FEATURES OF THE RUSSELL HOBBS CLEAR 15KG SQUARE ICE MAKER:**

- 15kg Clear Square Ice Maker
- Clear Plastic Window Display
- Two ice-making options to choose from:
  - Speedy (21min per cycle)
  - Regular (23 min) per cycle)
- Easy to use control panel
- Two ice sizes options:
  - Small
  - Large
- Self-indicator of full ice & water shortage
- Clear Square ice
- Water reservoir capacity: 600ml
- For Domestic use only
- 2 year warranty (1 year retail - 1 year extended warranty upon registration visit [www.russellhobbs.co.za](http://www.russellhobbs.co.za))

## **IMPORTANT SAFEGUARDS**

### **Important Notices:**

When using an electrical appliance, basic safety precautions should always be followed to reduce the risk of fire, electric shock, and/or injury, including the following:

1. Read all instructions before using.
2. Remove all packing material and carefully check your ice maker to ensure it is in good condition and that there is no damage to the ice maker or power cord and plug.
3. Before using the Ice maker for the first time, please wait 2 hours after positioning it, and keep the transparent lid open for at least 2 hours.
4. Pure water is not allowed to be used on this unit, spring water is recommended.
5. Ensure the voltage is compliant with the voltage range stated on the rating label, and ensure the earthing of the socket is in good condition.
6. If the supply cord is damaged, it must be replaced by the manufacturer or its service agent or a similarly qualified person to avoid a hazard.
7. Do not incline it over a 45° angle.
8. To protect against risk of electric shock, do not pour water on cord, plug and ventilation, immerse the appliance in water or any other liquid.

9. Unplug the appliance after using or before cleaning.
10. Keep the appliance 15cm from other objects to ensure the good heat releasing.
11. Do not use the accessories which are not recommended by Manufacturer.
12. This appliance can be used by children aged from 8 years and above and persons with reduced physical, sensory or mental capabilities or lack of experience and knowledge if they have been given supervision or instruction concerning use of the appliance in a safe way and understand the hazards involved. Children shall not play with the appliance. Cleaning and user maintenance shall not be made by children without supervision. Children should be supervised to ensure that they do not play with the appliance.
13. Do not use the appliance close by flames, hot plates or stoves.
14. Do not switch on the power button frequently (ensure 5min. interval at least) to avoid the damage of compressor.
15. Metal sheet or other electric objects are not allowed to be inserted into the appliance to avoid fire and short circuit.
16. Do not use outdoors.
17. Never clean with scouring powders or hard implements.
18. Please keep the instruction manual.
19. Warning: Do not store explosive substances such as aerosol cans with a flammable propellant in this appliance.

20. This appliance is intended to be used in household and similar applications such as

- staff kitchen areas in shops, offices and other working environments;
- farm houses and by clients in hotels, motels and other residential type environments;
- bed and breakfast type environments;
- catering and similar non-retail applications.

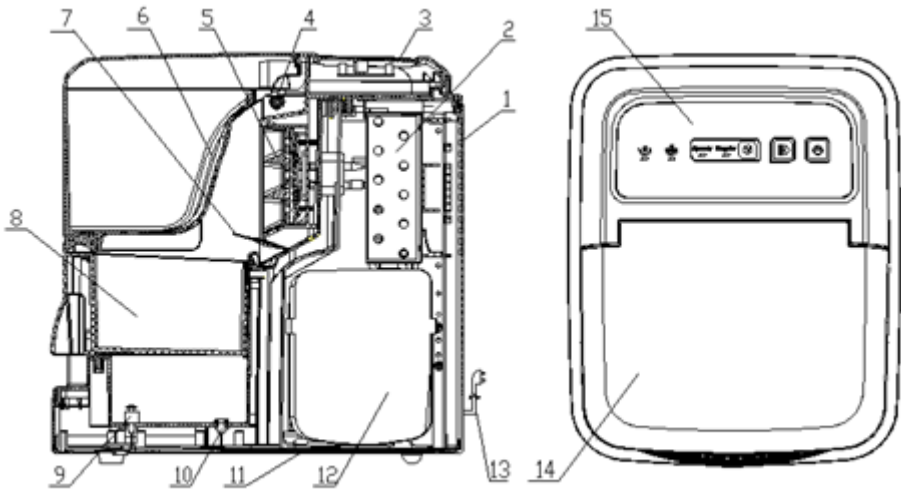
21. The refrigerant and insulation blowing gas is flammable, when disposing of the appliance, do so only at an authorized waste disposal center. Do not expose to flame.

22. Caution: Flammable refrigerant used! When handling, moving and use of the ice maker, make sure to avoid either damaging the refrigerant tubing, or increasing the risk of a leak.

23. The ice maker is to be installed in accordance with the Safety Standard for Refrigeration Systems, ASHRAE 15.

24. The ice maker shall not be installed in corridors or hallways of public buildings.

## PARTS DIAGRAM



Rear Cover

2. Condenser

3. Top Cover

4. Water Drain

5. Evaporator

6. Transparent Water Box

7. Ice board

8. Ice Basket

9. Floater switch

10. Water Temperature Sensor

11. Baseboard

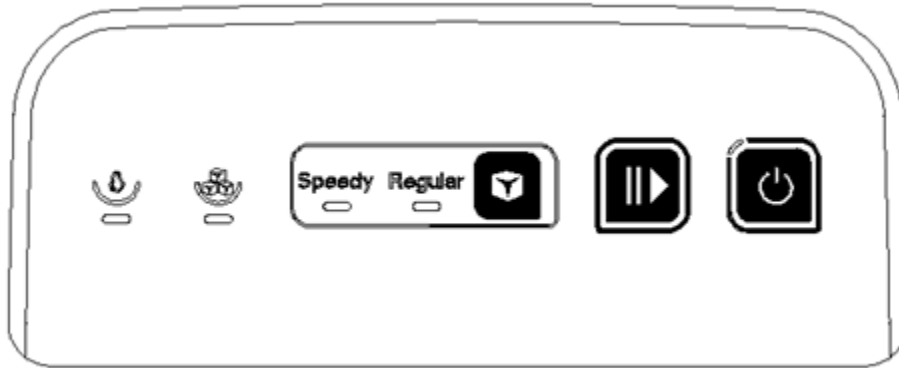
12. Compressor

13. Power Cord

14. Transparent Water Box Cover

15. Control Panel

## CONTROL PANEL



The indicator light for POWER will flash after ice machine has been plugged in, press POWER and the machine will enter standby mode. During operation, pressing this button will return machine to standby mode



This button is for selecting the size of ice. When you select the desired size, corresponding indicator of **Speedy** or **Regular** will be on.





When the indicator of this button turns to red, it means there's insufficient water in the water reservoir, you need to add enough water and press POWER button to restart the machine.



When the ice has reached the max storage capacity, the indicator light of this button will switch on, and the machine will stop working. What you need to do is pouring out the ice, if the position of ice is lower than the position of full ice sensor the machine will restart automatically.

## OPERATING INSTRUCTIONS

1. Open the cover, and add water to reservoir,
2. The water poured into water reservoir should be lower than the water reservoir's MAX position. When water volume goes beyond the max, please open the bottom water drain plug to drain the excess water out.

3. Connect the machine to your main power socket, press the , and then the machine enters standby mode.
4. Select the desired ice size, the default size of machine is large ice cubes.
5. Press  key to start work.

**PLEASE NOTE: The machine should be upright to place on the horizontal plane. To ensure the machine ventilate normally, it is important to set 150mm room on top, sides and back. Do not place the machine next to the roast oven, radiate or other heat objects.**

6. Select the small ice cube size when ambient temperature is below 15°C. and when the ambient temperature is higher than 30°C, Large ice cube sizes are recommended.
7. When the ice basket is full please remove the ice immediately, do not allow the ice basket to overflow



## **CLEANING AND MAINTENANCE**

1. Clean the inner liner, ice collecting tray, water box, ice shovel and evaporator frequently. When cleaning, unplug the unit and remove the ice cubes. Use a diluted solution of water and vinegar to clean the inside and the outside surface of the Ice maker. Do not spray Ice maker with chemicals or diluted agents such as acids, gasoline or oil. Rinse thoroughly before starting.
2. Keep ventilation openings in the appliance enclosure, or in the built-in structure, clear of obstruction. Do not use mechanical devices or other means to accelerate the defrosting process, other than those recommended by the manufacturer.
3. To ensure the cleanness of ice, please change water for water reservoir at least once one day. If do not use for a long time, please drain the water out and clean it up.
4. If the compressor takes a strike action for shortage water, fully water or interruption of power supply, it will delay for 3mins to start up after restarted.
5. Always use fresh water before starting ice production either at initial installation or after a long shut-off period.

## **STORING THE APPLIANCE**

- Unplug the unit from the wall outlet and clean all the parts as instructed above. Ensure that all parts are dry before storing.
- Store the appliance in its box or in a clean, dry place.
- Never store the appliance while it is still wet or dirty.
- Never wrap the power cord around the appliance. Do not store the appliance with the thermostat control/ probe inserted in the unit, always unplug it. Ensure the thermostat control/ probe is stored in a safe place where it will not be dropped, bumped or damage

## SERVICING THE APPLIANCE

There are no user serviceable parts in this appliance. If the unit is not operating correctly, please check the following:

- You have followed the instructions correctly
- That the unit has been wired correctly and that the wall socket is switched on.
- That the mains power supply is ON.
- That the plug is firmly in the mains socket.

If the appliance still does not work after checking the above:

Consult the retailer for possible repair or replacement. If the retailer fails to resolve the problem and you need to return the appliance, make sure that:

- The unit is packed carefully back into its original packaging.
- Proof of purchase is attached.
- A reason is provided for why it is being returned.

If the supply cord is damaged, it must be replaced by the manufacturer or an authorised service agent, to avoid any hazard. If service becomes necessary within the warranty period, the appliance should be returned to an approved Home of Living Brands (Pty) Ltd service centre. Servicing outside the warranty period is still available, but will, however, be chargeable.

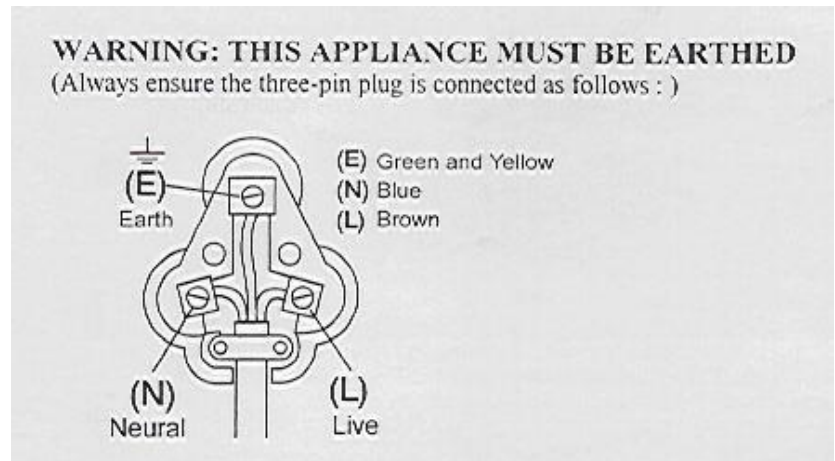
## CHANGING THE PLUG

Should the need arise to change the fitted plug, follow the instructions below.

**This unit is designed to operate on 230V-240V current only. Connecting to other power sources may damage the appliance. Connect a three-pin plug as follows:**

The wires in this mains lead are coloured in accordance with the following code:

Green/Yellow = Earth  
Blue = Neutral  
Brown = Live



According to the Waste of Electrical and Electronic Equipment (WEEE) directive, WEEE should be separately collected and treated. If at any time you need to dispose of this product, please do NOT dispose of this product with household waste. Please send this product to WEEE collecting points where available.

PLEASE AFFIX YOUR PROOF OF PURCHASE/RECEIPT HERE

**IN THE EVENT OF A CLAIM UNDER WARRANTY THIS RECEIPT MUST BE PRODUCED.**

**2 YEAR WARRANTY**

*1 year retail | 1 year  
extended warranty  
upon registration\*  
visit  
www.russellhobbs.co.za  
a*

**W A R R A N T Y AND EXTENDED WARRANTY**

1. Home of Living Brands (Pty) Limited ("Home of Living Brands") warrants to the original purchaser of this product ("the customer") that this product will be free of defects in quality and workmanship which under normal personal, family or household use and purpose may manifest within a period of 1 (one) year from the date of purchase ("warranty period").
2. Home of Living Brands shall extend the warranty period for a further period of 1(one) year ("extended warranty period"), on condition that the purchaser registers the product on the website, within 12 months from the date of purchase of the product. The website address for registration is as follows: <http://russellhobbs.co.za/info-pages/warranty-info.aspx>. The extended warranty period only applies to products purchased on or after 1 October 2017.
3. Where the customer has purchased a product and it breaks, is defective or does not work properly for the intended purpose, the customer must notify the supplier from whom the customer bought the product ("the supplier") thereof within the warranty period or if applicable, the extended warranty period. Any claim in terms of this warranty must be supported by a proof of purchase. If proof of purchase is not available, then repair, and/or service charges may be payable by the customer to the supplier.
4. The faulty product must be taken to the supplier's service centre to exercise the warranty.
5. The supplier will refund, repair or exchange the product in terms of this warranty subject to legislative requirements. This warranty shall be valid only where the customer has not broken the product themselves, or used the product for something that it is not supposed to be used for. The warranty does not include and will not be construed to cover products damaged as a result of disaster, misuse, tamper, abuse or any unauthorised modification or repair of the product.
6. This warranty will extend only to the product provided at the date of the purchase and not to any expendables attached or installed by the customer.
7. If the customer requests that the supplier repairs the product and the product breaks or fails to work properly within 3 (three) months of the repair and not as a result of misuse, tampering or modification by or on behalf of the customer, then the supplier may replace the product or pay a refund to the customer, subject to the supplier's discretion.
8. The customer may be responsible for certain costs where products returned are not in the original packaging, or if the packaging is damaged. This will be deducted from any refund paid to the customer.

**HOME OF LIVING BRANDS (PTY) LTD (JOHANNESBURG)**

JOHANNESBURG  
CAPE TOWN  
DURBAN

TEL NO. (011) 490-9600  
TEL NO. (021) 552-5161  
TEL NO. (031) 303-1163

[www.homeoflivingbrands.com](http://www.homeoflivingbrands.com)  
[www.russellhobbs.co.za](http://www.russellhobbs.co.za)  
[www.facebook.com/RussellHobbsSA](https://www.facebook.com/RussellHobbsSA)