



# Russell Hobbs

## INSTRUCTIONS AND WARRANTY



**MODEL NO. RHJM17**  
**RUSSELL HOBBS ROYAL 500W JUICE MAKER**

1-year standard warranty  
Warranty will be extended another year if you register your product  
online within 12 months of purchase  
(visit <https://russellhobbswarranty.co.za/>)



Thank you for purchasing the Russell Hobbs Royal 500W Centrifugal Juice Maker. Each unit has been manufactured to ensure safety, reliability and ease of use. Before use, please read the instructions carefully and keep it for future reference. Should you pass the unit on, please ensure that you also pass the instruction manual.

### **FEATURES OF THE RUSSELL HOBBS ROYAL 500W CENTRIFUGAL JUICE MAKER**

- Bringing versatility, efficiency and effortless food preparation to your kitchen
- 500W
- 2 speeds plus pulse equipped to extract juice from fruit and vegetables
- 65mm diameter feed tube that accommodates larger pieces of fruit
- 1.5L pulp container
- 500ml juice cup
- Quick and easy to disassemble for cleaning
- For domestic use only
- 1-year standard warranty. Warranty will be extended for another year if you register your product online within 12 months of purchase (visit <https://russellhobbswarranty.co.za/>)

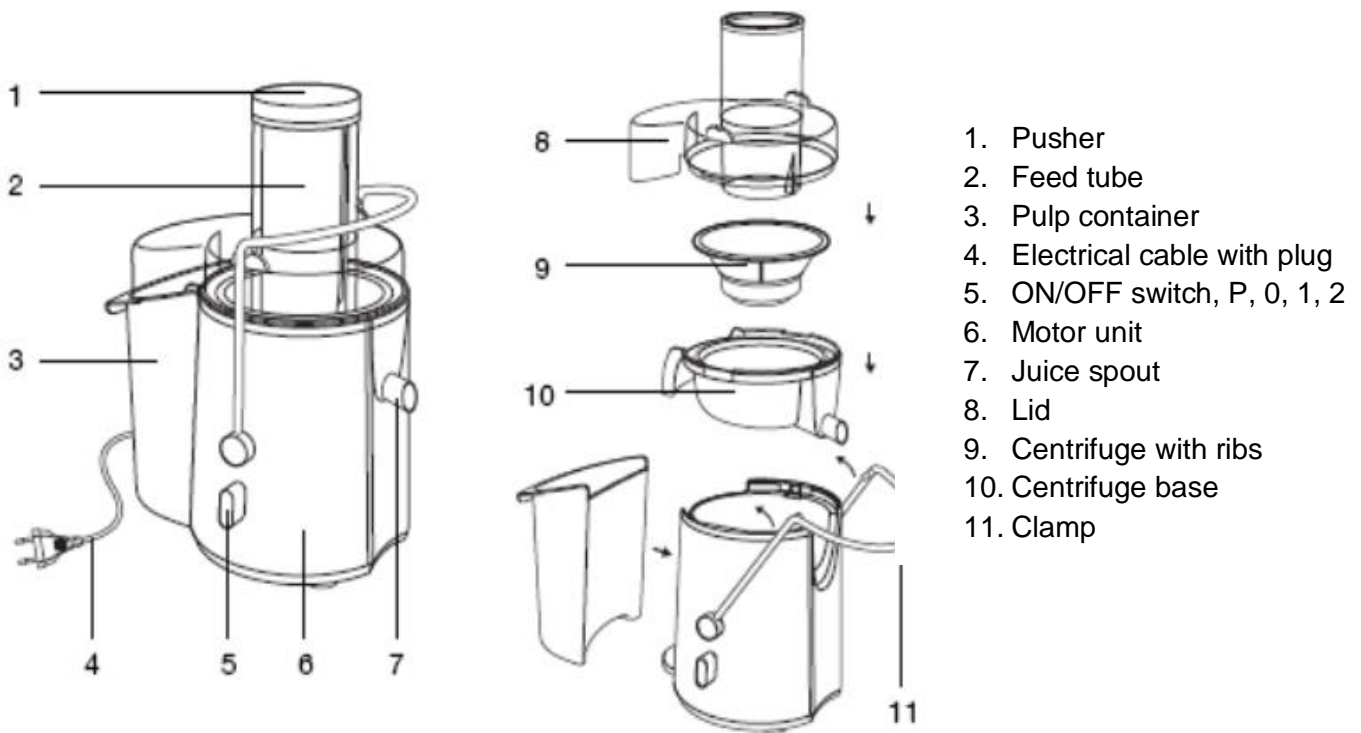
### **IMPORTANT SAFEGUARDS**

1. Please read the instructions carefully before using the appliance.
2. Always ensure that the voltage on the rating label corresponds to the mains voltage in your home.
3. Incorrect operation and improper use can damage the appliance and cause injury to the user.
4. The appliance is intended for household use only. Commercial use invalidates the warranty and the supplier cannot be held responsible for injury or damage caused when using the appliance for any other purpose than that intended.
5. Always disconnect the appliance from the power supply if it is left unattended and before assembling, disassembling or cleaning.
6. Avoid any contact with moving parts. Never touch the rotating tools while still in motion - always wait for them to come to a complete stop.
7. Close supervision is required when any appliance is used near or by children.
8. Check the power cord and plug regularly for any damage. If the cord or the plug is damaged, it must be replaced by the manufacturer or a qualified person in order to avoid an electrical hazard.
9. Do not use the appliance if it has been dropped or damaged in any way. In case of damage, take the unit in for examination and/or repair by an authorized service agent.
10. To reduce the risk of electric shock, do not immerse or expose the motor assembly, plug or the power cord to water or any other liquid. Do not use it with wet hands.
11. Never immerse the unit in water or any other liquid for cleaning purposes.
12. Remove the plug from the socket by gripping the plug. Do not pull on the cord to disconnect the appliance from the mains. Always unplug the unit when not in use, before cleaning or when adding or removing parts.
13. Insert only original parts. The use of accessory attachments that are not recommended or supplied by the manufacturer may result in injuries, fire or electric shock.
14. A short cord is provided to reduce the hazards resulting from becoming entangled in or tripping over a longer cord.
15. Do not let the cord hang over the edge of a table or counter. Ensure that the cord is not in a position where it can be pulled on inadvertently.
16. Do not allow the cord to touch hot surfaces and do not place on or near a hot gas or electric burner or in a heated oven.
17. Close supervision is required when any appliance is used near or by children.
18. Keep the appliance and cord away from direct radiant heat from the sun, damp areas, sharp edges and other dangers.
19. Never immerse the plug and the power cord in water or other fluids. Never clean the plug with a wet

cloth. Never insert or pull out the plug with wet hands.

20. Use of an extension cord with this appliance is not recommended. However, if it is necessary to use an extension cord, ensure that the cord is suited to the power consumption of the appliance to avoid overheating of the extension cord, appliance or plug point. Do not place the extension cord in a position where it can be pulled on by children or animals or tripped over.
21. Do not carry the appliance by the power cord.
22. Do not leave this appliance unattended during use. Always unplug the unit when not in use or before cleaning.
23. Do not operate this appliance by means of an external timer or remote-control system.
24. Make sure all parts are correctly assembled before you switch on the appliance.
25. Do not remove the pulp container when the appliance is operating.
26. Do not leave this appliance unattended during use. Always unplug the unit when not in use or before cleaning.
27. Always operate the appliance on a smooth, even, stable surface. Do not place the unit on a hot surface.
28. Ensure that the switch is in the "0" position after each use.
29. This appliance is designed for juicing household quantities; it is not suitable for commercial purposes. Use the appliance only for the purpose it was designed for.
30. Do not use this appliance if it or parts of it show visible damage or if the appliance has been dropped.
31. Do not attempt to make any modifications to this appliance.
32. To avoid any risk and to remain within warranty, repairs to this appliance must be carried out by an authorised service agent only.
33. If the supply cord is damaged, it must be replaced by the manufacturer, its authorised service agent or similarly qualified persons in order to avoid any hazard.
34. In case of technical problems, switch off the machine and do not attempt to repair it yourself. Return the appliance to an authorised service facility for examination, adjustment or repair. Always insist on the use of original spare parts. Failure to comply with the above-mentioned pre-cautions and instructions, could affect the safe operation of this machine.
35. The manufacturer does not accept responsibility for any damage or injury caused by improper or incorrect use, or for repairs carried out by unauthorised personnel.
36. Always unplug the appliance after use.
37. Do not use outdoors.

## PARTS DIAGRAM



## BEFORE FIRST USE

Before using your appliance for the first time remove the appliance from the box and take off any protective wrappings.

Note: Do not leave protective packaging lying around, as it could be dangerous around infants.

## OPERATING INSTRUCTIONS

1. Place motor unit on a flat, even surface and ensuring the speed switch on "0".
2. Place the pulp container on the holder on the left-hand side of the unit. For easy cleaning, you can place a plastic bag into the pulp container and fold the bag over the sides of the holder.
3. Place the centrifuge base onto the motor until it locks into place.
4. Carefully place the centrifuge with ribs into the centrifuge base so that the inner wheel fits into the outer wheel and press down gently until the centrifuge with ribs clips into place. Carefully turn the centrifuge with ribs and check that it turns smoothly. **NOTE: THE CENTRIFUGE WITH RIBS IS VERY SHARP, HANDLE IT VERY CAREFULLY.**
5. Position the lid onto the unit with the feed tube over the centrifuge base. Press down firmly until the lid clips into place.
6. Pull the clamp over the lid and snap it into place on either side of the unit.
7. Place the 500ml juice cup underneath the juice spout. The unit is now ready for use.
8. Plug in the unit and switch on the electrical outlet.
9. Prepare the fruit or vegetables to be used:
  - Wash the fruit and/or vegetables
  - Peels and seeds in the fruit and vegetables do not always have to be removed before extracting their juice. It is however advised that harder ingredients (peels and seeds) such as citrus peels be removed though; these could also sometimes leave a slightly bitter taste in the juice.
  - Large pits should be removed before juicing, as these may damage the unit.
  - Large fruits and vegetables should be cut into smaller pieces.
  - Conical fruit and vegetables (such as carrots) should be inserted tip first.

## 10. Juicing:

- **NOTE:** The juicer cannot be used for a period longer than 3 minutes uninterrupted, as the motor will overheat. After 3 minutes of continuous use, allow the juicer to cool down for at least 20 minutes before it is used again.
  - Turn on the unit by rotating the speed switch clockwise for the level “1” speed control, level “2” speed control or anti-clockwise for pulse control.
  - Use level 1 to extract juice from soft fruits and vegetables.
  - Use level 2 to extract juice from harder fruits and vegetables.
  - Use the pulse control by rotating the speed switch anti-clockwise for increased control when juicing fruit and vegetables.
  - Insert the fruit or vegetables into the feed tube. Insert the pusher into the feed tube and gently press down on the fruit or vegetables. Too much pressure will decrease the amount of juice obtained.
  - Once the fruit has been juiced, turn the speed switch to “0”.
11. The juicer can be used until the pulp container is full. Do not overfill the pulp container, as this may damage the appliance.
  12. To empty the pulp container while you are juicing, switch off the appliance and carefully remove the pulp container.  
**Note: Reassemble the empty pulp container before you continue juicing.**
  13. The appliance will only function if all parts have been properly assembled and the lid has been properly locked in place with the lid locking clip.
  14. Never insert your fingers or an object into the feeding tube.
  15. After you have processed all ingredients and the juice flow has stopped, switch off the appliance and wait until the filter has stopped rotating.

## HANDY HINTS WHEN USING YOUR RUSSELL HOBBS CENTRIFUGAL JUICE MAKER

- Use fresh fruit and vegetables, as they contain more juice. Pineapples, beetroots, celery stalks, apples, cucumbers, carrots, spinach, melons, tomatoes, pomegranates, oranges and grapes are particularly suitable for processing in the juice machine.
- You do not have to remove thin peels or skins. Only thick peels, e.g. those of oranges, pineapples and uncooked beetroots need to be removed. Also remove the white pith of citrus fruits because it has a bitter taste.
- When preparing apple juice, remember that the thickness of the apple juice depends on the kind of apple you are using. The juicier the apple, the thinner the juice. Choose a kind of apple that produces the type of juice you prefer.
- Apple juice turns brown very quickly. To slow down this process, add a few drops of lemon juice.
- Fruits that contain starch, such as bananas, papayas, avocados, figs and mangoes are not suitable for processing in the juice extractor. Use a food processor, blender or bar blender to process these fruits.
- Leaves and leaf stalks of e.g. lettuce can also be processed in the juice extractor.
- Drink the juice immediately after you have extracted it. If it is exposed to air for some time, the juice will lose its taste and nutritional value.
- To extract the maximum amount of juice, always press the pusher down slowly.
- The juicer is not suitable for processing very hard and/or fibrous/starchy fruits or vegetables such as sugar cane.

## **CLEANING AND MAINTENANCE**

- This appliance is for household use only and is not user-serviceable.
- Do not open or change any parts by yourself. Please refer to a qualified electrical service department or return to the supplier if servicing is necessary.
- Always remember to unplug the unit from the electrical outlet when not in use and before cleaning. Ensure that the speed control is set to “0”.
- Switch off the appliance. Remove the plug from the wall socket and wait until the filter has stopped rotating.
- It is much easier to clean the accessories directly after they have been used.
- Never use scrub pads, abrasive cleaning agents or aggressive liquids such as alcohol, petrol or acetone to clean the appliance.
- Remove the dirty parts from the motor unit. Disassemble the appliance in the following order:
  1. Remove the pulp container
  2. Remove the pusher
  3. Pull down the clamp
  4. Remove the lid
  5. Remove the centrifuge with ribs
  6. Remove the centrifuge base
- Clean the above removable parts with a cleaning brush in warm soapy water and rinse them under the tap or place them in the dishwasher.
  - Note: All detachable parts are dishwasher-safe. Place the detachable plastic parts on the top tray of the dishwasher. Make sure they are placed well away from the heating element.
- Clean the motor unit with a damp cloth.
- Never immerse the motor unit in water nor rinse it under the tap.

## **STORING THE APPLIANCE**

- Unplug the unit from the wall outlet and clean all the parts as instructed above.
- Ensure that all parts are dry before storing.
- Store the appliance in its box or in a clean, dry place.
- Never store the appliance while it is still wet or dirty.
- Never wrap the power cord around the appliance.

If the appliance still does not work after checking the above:

- Consult the retailer for possible repair or replacement. If the retailer fails to resolve the problem and you need to return the appliance and make sure that:

- The unit is packed carefully back into its original packaging.
- Proof of purchase is attached.
- A reason is provided for why it is being returned.

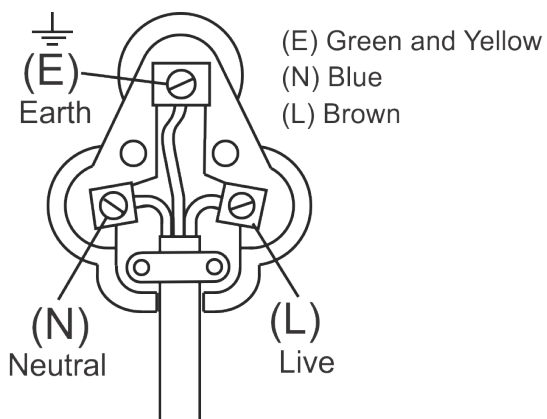
If the supply cord is damaged, the manufacturer or an authorised service agent must replace it, in order to avoid any hazard. If service becomes necessary within the warranty period, the appliance should be returned to an approved Home Of Living Brands (Pty) Limited service centre. Servicing outside the warranty period is still available, but will, however, be chargeable.

## CHANGING THE PLUG

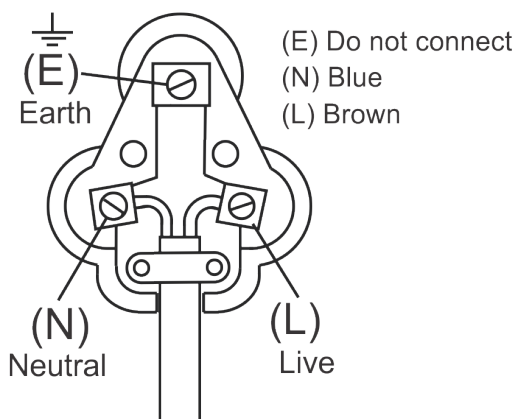
Should the need arise to change the fitted plug, follow the instructions below.

**This unit is designed to operate on the stated current only. Connecting to other power sources may damage the appliance.**

**WARNING:** If your appliance has three wires (Green/Yellow, Blue, Brown) then it MUST be earthed. Connect a three pin plug as shown below



If your appliance has only two wires (Blue, Brown) then it does not need to be earthed. Connect a three pin plug as shown below



**PLEASE AFFIX YOUR PROOF OF PURCHASE/RECEIPT HERE  
IN THE EVENT OF A CLAIM UNDER WARRANTY THIS RECEIPT MUST BE PRODUCED.**

**1 YEAR STANDARD WARRANTY**

*Warranty will be extended for another year if you register your product online within 12 months of purchase (visit <https://russellhobbswarranty.co.za/>)*

**W A R R A N T Y AND EXTENDED WARRANTY**

1. Home of Living Brands (Pty) Limited ("Home of Living Brands") warrants to the original purchaser of this product ("the customer") that this product will be free of defects in quality and workmanship which under normal personal, family or household use and purpose may manifest within a period of 1 (one) year from the date of purchase ("warranty period").
2. Home of Living Brands shall extend the warranty period for a further period of 1(one) year ("extended warranty period\*"), on condition that the purchaser registers the product on the website, within 12 months from the date of purchase of the product. The website address for registration is as follows: <https://russellhobbswarranty.co.za/>.
3. Where the customer has purchased a product and it breaks, is defective or does not work properly for the intended purpose, the customer must notify the supplier from whom the customer bought the product ("the supplier") thereof within the warranty period or if applicable, the extended warranty period. Any claim in terms of this warranty must be supported by a proof of purchase. If proof of purchase is not available, then repair, and/or service charges may be payable by the customer to the supplier.
4. The faulty product must be taken to the supplier's service centre to exercise the warranty.
5. The supplier will refund, repair or exchange the product in terms of this warranty subject to legislative requirements. This warranty shall be valid only where (a) the customer is not the cause of the product breaking, and (b) the product has been used for the intended purpose stipulated in the product manual. The warranty does not include and will not be construed to cover products damaged as a result of disaster, misuse, tamper, abuse or any unauthorised modification or repair of the product.
6. This warranty will extend only to the product provided at the date of the purchase and not to any expendables attached or installed by the customer. In this regard any accessories supplied with the product by the supplier, may be excluded in this warranty or extended warranty (see Exclusions to Warranty and Extended Warranty document).
7. If the customer requests that the supplier repairs the product and the product breaks or fails to work properly within 3 (three) months of the repair and not as a result of misuse, tampering or modification by or on behalf of the customer, then the supplier may replace the product or pay a refund to the customer, subject to the supplier's discretion.
8. The customer may be responsible for certain costs where products returned are not in the original packaging, or if the packaging is damaged. This will be deducted from any refund paid to the customer.

**HOME OF LIVING BRANDS (PTY) LTD (JOHANNESBURG)**

JOHANNESBURG  
CAPE TOWN  
DURBAN

TEL NO. (011) 490-9600  
TEL NO. (021) 552-5161  
TEL NO. (031) 303-1163

[www.homeoflivingbrands.com](http://www.homeoflivingbrands.com)  
[www.russellhobbs.co.za](http://www.russellhobbs.co.za)  
[www.facebook.com/RussellHobbsSA](https://www.facebook.com/RussellHobbsSA)



## *EXCLUSIONS TO WARRANTY AND EXTENDED WARRANTY*

1. Any accessories supplied with the product, including but not limited to, bowls, jugs, mills or carafes made either of glass or plastic and supplied with this appliance (hereinafter referred to as “the accessory or accessories”), is warranted to be free from material and workmanship defects for the duration of the appliance warranty.
2. The accessories should give trouble free service when used in accordance with the directions described in the instruction manual. However, the accessories will be damaged if subjected to impact, and this damage is not covered by the warranty. Such impact damage can occur either from the outside (if for example it is dropped or knocked against a hard surface), or from within (if for example foreign objects are placed within the accessories and the power is switched on).
3. Should you need to replace an accessory during the warranty period; a claim for a free replacement will only be considered if the item (including all shards and broken parts) is returned to the nearest HOLB service centre for examination.
4. The remains of the accessory will be carefully examined by the relevant professionals and if it is determined (at the sole discretion of HOLB) that the damage was caused by impact, then the claim will be refused and will not be covered by the warranty or any extended warranty.
5. Any replacement part provided in terms of clause 4 above will become a chargeable item payable by the customer.