



Russell Hobbs

INSTRUCTIONS & WARRANTY



MODEL NO: RHPF04

RUSSELL HOBBS TRIPOD PEDESTAL FAN

Congratulations on purchasing our Russell Hobbs Tripod Pedestal Fan. Each unit is

manufactured to ensure safety and reliability. Before using this appliance for the first time, please read the instruction manual carefully and keep it for future reference.

FEATURES OF THE RUSSELL HOBBS TRPOD PEDESTAL FAN

- 18" Metal tripod fan
- 4 Metal blades
- 60W
- Adjustable height
- Three speed settings
- Oscillating function
- Classic and elegant design
- Unique wooden tripod stand
- For domestic use only

IMPORTANT SAFEGUARDS

When using any electrical appliance, basic safety precautions should always be followed including the following:

1. When using any electrical appliance, basic safety precautions should always be followed including the following:
2. Please read the instructions carefully before using any appliance.
3. Always ensure that the voltage on the rating label corresponds to the mains voltage in your home.
4. Incorrect operation and improper use can damage the appliance and cause injury to the user.
5. The appliance is intended for household use only. Commercial use invalidates the warranty and the supplier cannot be held responsible for injury or damage caused when using the appliance for any other purpose than that intended.
6. Avoid any contact with moving parts.
7. This appliance is not intended for use by persons (including children) with reduced physical, sensory or mental capabilities, or lack of experience and knowledge, unless they have been given supervision or instruction concerning use of the appliance by a person responsible for their safety.
8. Children should be supervised to ensure that they do not play with the appliance.
9. Check the power cord and plug regularly for any damage. If the cord or the plug is damaged, it must be replaced by the manufacturer or a qualified person in order to avoid an electrical hazard.

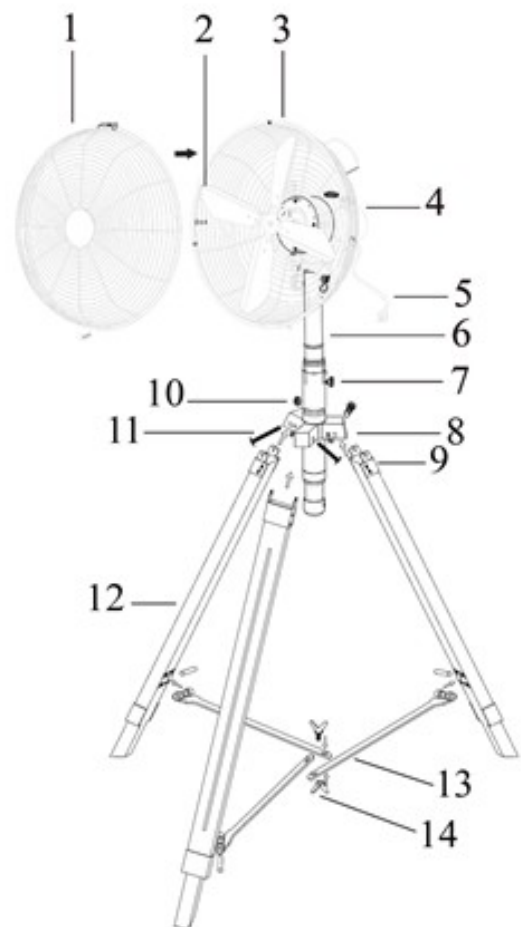
10. Do not use the appliance if it has been dropped or damaged in any way. In case of damage, take the unit in for examination and/or repair by an authorised service agent.
11. To reduce the risk of electric shock, do not immerse or expose the motor assembly, plug or the power cord to water or any other liquid.
12. Never immerse the full unit in water or any other liquid for cleaning purposes.
13. Remove the plug from the socket by gripping the plug. Do not pull on the cord to disconnect the appliance from the mains. Always unplug the unit when not in use, before cleaning or when adding or removing parts.
14. The use of accessory attachments that are not recommended or supplied by the manufacturer may result in injuries, fire or electric shock.
15. A short cord is provided to reduce the hazards resulting from becoming entangled in or tripping over a longer cord.
16. Do not let the cord hang over the edge of a table or counter. Ensure that the cord is not in a position where it can be pulled on inadvertently.
17. Do not allow the cord to touch hot surfaces and do not place on or near a hot gas or electric burner or in a heated oven.
18. Do not use the appliance on a gas or electric cooking top or over or near an open flame.
19. Use of an extension cord with this appliance is not recommended. However, if it is necessary to use an extension lead, ensure that the lead is suited to the power consumption of the appliance to avoid overheating of the extension cord, appliance or plug point. Do not place the extension cord in a position where it can be pulled on by children or animals or tripped over.
20. This appliance is not suitable for outdoor use. Do not use this appliance for anything other than its intended use.
21. Do not carry the appliance by the power cord.
22. Do not leave this appliance unattended during use. Always unplug the unit when not in use or before cleaning.
23. Always operate the appliance on a smooth, even, stable surface. Do not place the unit on a hot surface.
24. Ensure that the switch is in the "Off" position after each use.
25. The manufacturer does not accept responsibility for any damage or injury caused by improper or incorrect use, or for repairs carried out by unauthorised personnel.
26. In case of technical problems, switch off the machine and do not attempt to repair it yourself. Return the appliance to an authorised service facility for examination, adjustment or repair. Always insist on the use of original spare parts. Failure to

comply with the above mentioned pre-cautions and instructions, could affect the safe operation of this machine.

27. Never insert your fingers, pencils or and other objects through the fan cage during operation.
28. Switch the fan off before moving or cleaning.
29. The fan should be set up on a stable and level surface to avoid it being knocked over.
30. Do not expose the fan to excessive heat or humidity, as this can cause damage to the electrical components.
31. Ensure that the cable does not get caught beneath the unit, in drawers, behind shelves etc.
32. Do not run the cable under carpets or rugs..
33. Ensure the cable is kept away from busy areas to avoid anyone tripping over it.
34. For indoors use only.
35. In order to reduce the risk of fire or electric shock, never use the appliance together with an electronic timer.

PARTS DIAGRAM

1. Front fan grill
2. Fan blades
3. Rear fan grill
4. Motor housing & switch knob
5. Power cord & plug
6. Standing pipe
7. Height adjustable knob
8. Tripod holder
9. Metal connector parts of wooden base
10. Main nut
11. Securing screw of base connector
12. Wooden base
13. Wooden base metal link pipe
14. Butterfly screws



ASSEMBLY INSTRUCTIONS

1. Remove the securing screw of base connector from the tripod holder. Use the

screw driver to install the wooden base on the tripod holder: Place the securing screw of base connector through the holes of metal connector parts of the wooden base and tripod holder, and then lock the screw on the main nut. Each base has one set screw & main nut.

2. Install the wooden base metal link pipe with the butterfly screws. Place the 3 wooden base metal link pipes in the middle of the base and secure into place with the butterfly screw.

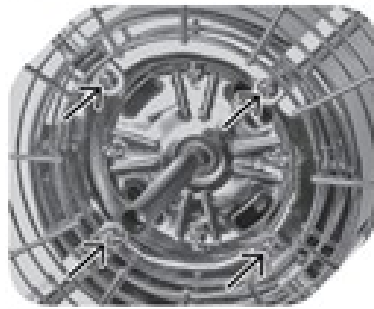


3. Install the main fan body on the top of the standing pipe. Ensure to pay attention to the screws so they are positioned accurately.

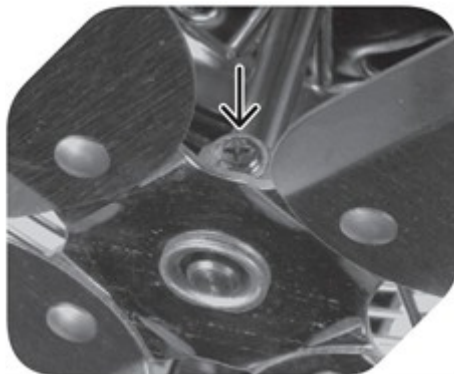


4. Install the rear fan grill on the motor housing. Remove the 4 screws from the motor housing pan and then place the rear fan grill in such a manner that it

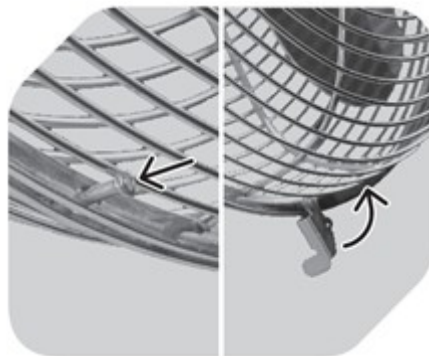
touches the motor housing pan then install the screws



5. Install the blade on the motor shaft and then tighten the securing screw of fan blade.



6. Place the front fan grill onto the rear fan grill, tighten the fan grill by the fan clips, and then install the securing screws of the fan grills.



OPERATING

The fan has 3 speed

INSTRUCTIONS

settings:

0- Off

1-Lowest speed

2-Medium speed

3-Top speed

The fan can operate in oscillating or stationary mode. Press the oscillation button to activate the oscillating mode..

Loosen the screw to move the stand up or down as required. Tighten the screw at the desired position

CLEANING AND MAINTANANCE

Note: Take care not to drop the blades

1. Before cleaning, always ensure the fan is switched off and disconnected from the electrical socket.
2. Wipe off dust and dirt with a warm damp cloth and wipe once more with a dry cloth.
3. Do not immerse the unit in water or other liquids.
4. Never use polish or any corrosive or abrasive liquids or substances that will damage the paint, metal or plastic.

STORING THE APPLIANCE

- Unplug the unit from the wall outlet and clean all the parts as instructed above. Ensure that all parts are dry before storing.
- Store the appliance in its box or in a clean, dry place.
- Never store the appliance while it is still wet or dirty.

SERVICING THE APPLIANCE

There are no user serviceable parts in this appliance. If the unit is not operating correctly, please check the following:

- You have followed the instructions correctly
- That the unit has been wired correctly and that the wall socket is switched on.
- That the mains power supply is ON.

- That the plug is firmly in the mains socket.

If the appliance still does not work after checking the above:

- Consult the retailer for possible repair or replacement. If the retailer fails to resolve the problem and you need to return the appliance, make sure that:

- The unit is packed carefully back into its original packaging.
- Proof of purchase is attached.
- A reason is provided for why it is being returned.

If the supply cord is damaged, it must be replaced by the manufacturer or an authorised service agent, in order to avoid any hazard. If service becomes necessary within the warranty period, the appliance should be returned to an approved Home Of Living Brands (Pty) Limited service centre. Servicing outside the warranty period is still available, but will, however, be chargeable.

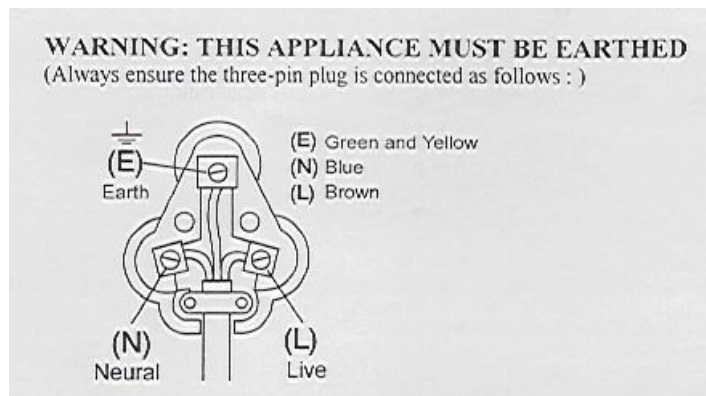
CHANGING THE PLUG

Should the need arise to change the fitted plug, follow the instructions below.

This unit is designed to operate on the stated current only. Connecting to other power sources may damage the appliance. Connect a three-pin plug as follows:

The wires in this mains lead are coloured in accordance with the following code:

Green/Yellow = Earth
Blue = Neutral
Brown = Live



**PLEASE AFFIX YOUR PROOF OF PURCHASE/RECEIPT HERE
IN THE EVENT OF A CLAIM UNDER WARRANTY THIS RECEIPT MUST BE PRODUCED.**

2 YEAR WARRANTY

1 year retail | 1 year extended
warranty upon registration*
visit www.russellhobbs.co.za

W A R R A N T Y AND EXTENDED WARRANTY

1. Home of Living Brands (Pty) Limited ("Home of Living Brands") warrants to the original purchaser of this product ("the customer") that this product will be free of defects in quality and workmanship which under normal personal, family or household use and purpose may manifest within a period of 1 (one) year from the date of purchase ("warranty period").
2. Home of Living Brands shall extend the warranty period for a further period of 1(one) year ("extended warranty period"), on condition that the purchaser registers the product on the website, within 12 months from the date of purchase of the product. The website address for registration is as follows: <http://russellhobbs.co.za/info-pages/warranty-info.aspx>. The extended warranty period only applies to products purchased on or after 1 October 2017.
3. Where the customer has purchased a product and it breaks, is defective or does not work properly for the intended purpose, the customer must notify the supplier from whom the customer bought the product ("the supplier") thereof within the warranty period or if applicable, the extended warranty period. Any claim in terms of this warranty must be supported by a proof of purchase. If proof of purchase is not available, then repair, and/or service charges may be payable by the customer to the supplier.
4. The faulty product must be taken to the supplier's service centre to exercise the warranty.
5. The supplier will refund, repair or exchange the product in terms of this warranty subject to legislative requirements. This warranty shall be valid only where (a) the customer is not the cause of the product breaking, and (b) the product has been used for the intended purpose stipulated in the product manual. The warranty does not include and will not be construed to cover products damaged as a result of disaster, misuse, tamper, abuse or any unauthorised modification or repair of the product.
6. This warranty will extend only to the product provided at the date of the purchase and not to any expendables attached or installed by the customer. In this regard any accessories supplied with the product by the supplier, may be excluded in this warranty or extended warranty (see Exclusions to Warranty and Extended Warranty document).
7. If the customer requests that the supplier repairs the product and the product breaks or fails to work properly within 3 (three) months of the repair and not as a result of misuse, tampering or modification by or on behalf of the customer, then the supplier may replace the product or pay a refund to the customer, subject to the supplier's discretion.
8. The customer may be responsible for certain costs where products returned are not in the original packaging, or if the packaging is damaged. This will be deducted from any refund paid to the customer.

HOME OF LIVING BRANDS (PTY) LTD (JOHANNESBURG)

JOHANNESBURG
CAPE TOWN
DURBAN

TEL NO. (011) 490-9600
TEL NO. (021) 552-5161
TEL NO. (031) 303-1163

www.homeoflivingbrands.com

www.russellhobbs.co.za

www.facebook.com/RussellHobbsSA

EXCLUSIONS TO W A R R A N T Y AND EXTENDED WARRANTY

1. Any accessories supplied with the product, including but not limited to, bowls, jugs, mills or carafes made either of glass or plastic and supplied with this appliance (hereinafter referred to as "the accessory or accessories"), is warranted to be free from material and workmanship defects for the duration of the appliance warranty.
2. The accessories should give trouble free service when used in accordance with the directions described in the instruction manual. However, the accessories will be damaged if subjected to impact, and this damage is not covered by the warranty. Such impact damage can occur either from the outside (if for example it is dropped or knocked against a hard surface), or from within (if for example foreign objects are placed within the accessories and the power is switched on).
3. Should you need to replace an accessory during the warranty period; a claim for a free replacement will only be considered if the item (including all shards and broken parts) is returned to the nearest HOLB service centre for examination.
4. The remains of the accessory will be carefully examined by the relevant professionals and if it is determined (at the sole discretion of HOLB) that the damage was caused by impact, then the claim will be refused and will not be covered by the warranty or any extended warranty.
5. Any replacement part provided in terms of clause 4 above will become a chargeable item payable by the customer.