



Russell Hobbs

INSTRUCTIONS AND WARRANTY



MODEL NO: RHGS01

RUSSELL HOBBS GARMENT STEAMER

Congratulations on purchasing the Russell Hobbs Garment Steamer. Each unit is manufactured to ensure safety and reliability. Before using this appliance for the first time, please read the instruction manual carefully and keep it for future reference.

FEATURES

1. 2000W
2. 1.7L detachable water tank can be used for up to 50 minutes without refilling
3. 6 steam settings
4. Adjustable pole – up to 1.6m
5. Steam up to 35g/m
6. 130cm long steam hose
7. 1.3m long cable
8. Accessories include the following:
 - Hanger with trouser clips for easy steaming of garments
 - Fabric brush to remove any threads
 - Ironing mitt for protection during steaming
 - Collar ironing board
9. Drainage plug for easy cleaning and maintenance
10. Safe for use on all fabrics including silk
11. For domestic use only
12. 2-year warranty (1-year retail • 1 year extended upon online registration of product • visit www.russellhobbs.co.za)

IMPORTANT SAFEGUARDS

When using any electrical appliance, basic safety precautions should always be followed including the following:

1. Please read the instructions carefully before using any appliance.
2. Always ensure that the voltage on the rating label corresponds to the mains voltage in your home.
3. Incorrect operation and improper use can damage the appliance and cause injury to the user.
4. The appliance is intended for household use only. Commercial use invalidates the warranty, and the supplier cannot be held responsible for injury or damage caused when using the appliance for any other purpose than that intended.
5. This appliance is not intended for use by persons (including children) with reduced physical, sensory, or mental capabilities, or lack of experience and knowledge, unless they have been given supervision or instruction concerning the use of the appliance by a person responsible for their safety.
6. Children should be supervised to ensure that they do not play with the appliance.
7. Check the power cord and plug regularly for any damage. If the cord or the plug is damaged, it must be replaced by the manufacturer or a qualified person in order to avoid an electrical hazard.
8. Do not use the appliance if it leaks, has been dropped or damaged in any way. In case of damage, take the unit in for examination and/or repair by an authorised service agent.
9. To reduce the risk of electric shock, do not immerse in or expose the motor/ electrical assembly, plug or the power cord to water or any other liquid.
10. Never immerse the unit in water or any other liquid for cleaning purposes.
11. Remove the plug from the socket by gripping the plug. Do not pull on the cord to disconnect the appliance from the mains. Always unplug the unit when not in use before cleaning or when adding or removing parts.
12. The use of accessory attachments that are not recommended or supplied by the manufacturer may result in injuries, fire, or electric shock.
13. Do not let the cord hang over the edge of a table or counter. Ensure that the cord is not in a position where it can be pulled on inadvertently.
14. Do not allow the cord to touch hot surfaces and do not place on or near flammable goods, near an open flame, hot gas or electric burner or a heated oven.
15. Use of an extension cord with this appliance is not recommended. However, if it

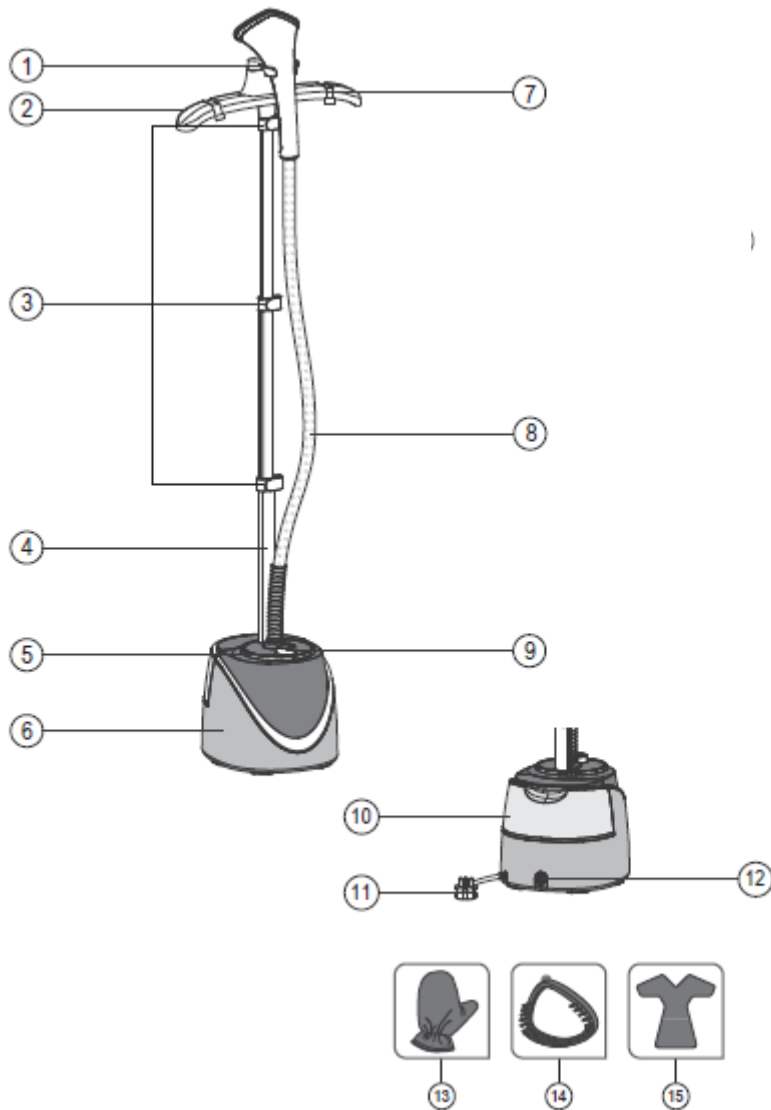
is necessary to use an extension lead, ensure that the lead is suited to the power consumption of the appliance to avoid overheating of the extension cord, appliance or plug point. Do not place the extension cord in a position where it can be pulled on by children or animals or tripped over.

16. This appliance is not suitable for outdoor use. Do not use this appliance for anything other than its intended use.
17. Do not carry the appliance by the power cord.
18. Always operate the appliance on a smooth, even, stable surface. Do not place the unit on a hot surface.
19. Do not use this appliance with a programmer, timer, separate remote-control system, or any other device that switches the appliance on automatically, since a fire risk exists if the appliance is covered or positioned incorrectly.
20. Ensure that the switch is in the "0" or "OFF" position after each use.
21. Do not iron/ steam clothing while it is being worn – you will burn or scald the wearer.
22. Do not direct steam at people or animals.
23. Do not touch the soleplate and keep away from the steam emitting from it.
24. Take care when emptying the appliance – it may contain hot water.
25. Do not use the steamer in the vicinity of children.
26. Use the appliance on a stable, level, heat-resistant surface, preferably an ironing board.
27. Do not leave the appliance unattended while plugged in, it could be knocked over by you, by a child or by a pet.
28. Do not fill past the MAX level mark shown on the water tank.
29. Deposits or minerals in the water supply will generate scale and block the steam holes in the soleplate. It is advisable to use distilled water when filling your iron. Do not use chemically purified water.
30. Leave the appliance to cool down fully before cleaning and storing away.
31. Do not use the appliance for any purpose other than those described in these instructions.
32. Never drop or insert any object into any opening or hose.
33. Always keep the hose and nozzle elevated above the water tank.
34. Steam only in an up and down vertical motion. Never use the steamer in a horizontal position or tilt into a backward position, this may result in hot water dripping from the unit.
35. Do not place the steam nozzle directly on any surface or the appliance power cord while it is hot or plugged in.

36. Always use the stand provided.
37. Use caution when changing attachments, as they may contain hot water from condensation. Ensure the attachments are cooled off to avoid contact with hot water.
38. Do not cut or attempt to extend the steaming hose.
39. To prevent the appliance overheating, when you hang clothes on the garment hook, please assemble the attached garment telescopic rod and extend it at highest position.
40. Do not use without the steam tube or steam head fitted.
41. Do not allow the steamer to run dry.
42. Set up the cord in such a manner so that it does not cause hazard during use.
43. Do not misplace the water drainage plug from the unit. It may cause a choking hazard for children. Always keep the water drainage plug fitted to the unit.
44. The steam tube and tube spring can get hot during use. Avoid touching tube and spring during use until it has fully cooled down.
45. Fill water in water tank and remove water tank only when it is empty and when appliance has cooled down.
46. Always unwind and straighten the power cord before use.
47. Unplug the appliance from the mains electrical supply before:
 - Cleaning
 - Filling with water or emptying the water tank
 - Immediately after use
 - When not in use
 - When moving
48. The appliance generates high temperature steam. Always handle with care and warn other users of potential danger.
49. Do not let the power cord touch the soleplate as it may result in damage as well as a potential fire hazard.
50. Do not add perfume, vinegar, or other chemical liquids into the water tank as they may result in damage to the appliance.
51. Do not operate this appliance by means of an external timer.
52. The manufacturer does not accept responsibility for any damage or injury caused by improper or incorrect use, or for repairs carried out by unauthorized personnel.
53. In case of technical problems, switch off the appliance and do not attempt to repair it yourself. Return the appliance to an authorised service facility for examination, adjustment, or repair. Always insist on the use of original spare parts. Failure to comply with the above-mentioned precautions and instructions,

could affect the safe operation of this appliance.

PARTS DIAGRAM



1. Steam head
2. Hanger with steam head holder
3. Locking clamps
4. Aluminium extendable pole
5. Indicator light
6. Main body
7. Trouser clips
8. Steam tube
9. Control dial
10. Water tank
11. Power cord
12. Water drainage plug
13. Mitt
14. Brush
15. Collar iron board

ASSEMBLY INSTRUCTIONS

1. Open the locking clamps (see figure 1). Pull up the retractable poles and adjust to the appropriate height and then lock the locking clamps. (see figure 2)

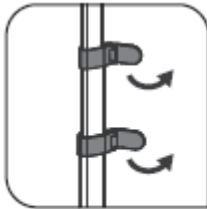


figure 1

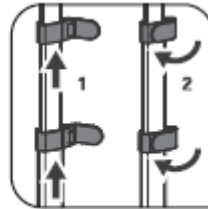


figure 2

2. Insert the aluminium pole into the hole of the main body and press downward (see figure 3)



figure 3

3. Insert the hanger into the top of the aluminium pole and press the locking clamp to lock it (see figure 4).



figure 4

4. Twist off the water tank knob, fill the water tank with water and tighten the water tank knob (see figure 5)



figure 5

5. Place the water tank back in place on the main body (see figure 6)



figure 6

HINTS AND TIPS FOR IRONING

- Steam only in an up and down vertical motion.
- Never use steamer in a horizontal position or tilt into a backward position, this may result in hot water discharge.
- Heat resistant glove may help to prevent burns.
- The trouser clips can be used to clip on your trouser for easier steaming.
- The brush accessory can be used for removing fluff.
- The collar iron board can be used for steaming collars. It should be kept under the collar of garments while being used. The board will help align collars for easy steaming.

Warning: The collar board can get hot with continuous use, so take care while using the collar iron board.

OPERATING INSTRUCTIONS

ATTACHING ACCESSORIES

- Snap the top end of the brush on the upper edge of the steam head and push downwards until it clicks into place securely.
- Snap the trouser clips on to the trouser clip grooves on the hanger. The trouser clips have marking to indicate right and left position. Snap it according to position.
- To dismantle, follow these steps in reverse.

Warning: Never steam clothes while they are being worn.

Note: The steam tube and steam head will become hot during use. This is normal. Use caution and avoid prolonged contact.

1. Ensure the unit is assembled and the water tank is filled as per assembly instructions.
2. Place garment steamer on a flat, level surface. Do not block the vents on bottom of unit.
3. Plug in the power cord and activate the power switch by hand. The power indicator light will illuminate once garment steamer is turned on.
4. Place a garment onto the hanger or on the trouser clip.
5. Wait for the steam to come out. It will take approximately 45 seconds.
6. Grasp the steam head with the steam vents pointing away from you.
7. Start steaming by touching material lightly with the steaming head and by moving in an up/down vertical motion.
8. Begin at the bottom of the garment and move in an upward direction.
9. Steam with steam tube in an upright position. If steaming in a low position near the floor, straighten the hose up-and-out frequently to avoid condensation. This allows any condensation to flow back into the steamer.
10. During operation, the steamer hose may make a gurgling noise. This is a normal result of condensation. If it begins to gurgle, extend hose up-and-out to move excess moisture back into the base.

WARNING: Do not allow the garment steamer to run dry

DESCALING

- Ensure the unit has completely cooled down before starting the cleaning process and that the appliance is switched off and unplugged.
- To maintain maximum performance, your garment steamer must be descaled frequently. The descaling intervals will be dependent on the water quality and the frequency of use. The unit should be descaled at least once a year or every 100 hours of use.
- Remove the water tank and clean the main unit with a damp cloth.
- Existing water in the unit can be removed by removing the water drainage plug on the back side of the unit. The plug can be removed by twisting it to the left which will

- unlock the plug.
- Fill the tank with fresh water and shake vigorously to remove any scale. Pour out the water and repeat if necessary.
- A decalcifying agent can be bought and used as per the instructions of the manufacturer.
- After filling the water tank turn it up and down to descale.
- After removing existing water in the unit, the plug must be plugged in by inserting the plug into the water drainage hole and twisting to the right, as shown below:



- Attach water tank to unit, plug in and switch on. Let the appliance run until the water tank is almost empty. Do not steam any clothing with this mixture.
- Unplug and detach the water tank as per above. Rinse it with fresh water.
- Fill water tank with fresh water and repeat steps above.

Note: If after descaling you believe that there is still build up in the boiler, repeat the process.

CLEANING AND MAINTENANCE

- This appliance is for household use only and is not user serviceable.
- Do not open or change any parts by yourself. Please refer to a qualified electrical service department or return to the supplier if servicing is necessary.
- Always remember to unplug the unit from the electrical outlet when not in use and before cleaning.
- Wipe the soleplate with a damp cloth and a non-abrasive (liquid) cleaner. Once done, buff the soleplate with a clean dry cloth.
- The body of the appliance should be cleaned with a damp cloth. Do not let water enter the appliance and cause damage to any electrical components.
- Do not use bleach or other abrasive substance or solvents to clean your appliance as it can be damaging to the finish.
- Do not immerse the appliance in water or any other liquid or hold it under a running tap to clean.

STORING THE APPLIANCE

- After using the steamer, switch the power switch to the off position (power indicator light will go off) and unplug the appliance.
- Empty the water tank when not in use. Some water may accumulate and remain in base. This is normal.
- Hang steam head in an upright position in hanger head when not in use. Loop cord loosely around integrated cord storage bar.
- Carry the steamer by integrated carry handle and not by the water tank handle. You can also roll unit to storage area or carry from underneath the main unit.
- Never touch the steam head until it cools completely
- Complete cleaning and maintenance as instructed above.
- Ensure that all parts are dry before storing.
- Store only once the appliance has cooled completely.
- Store the appliance vertically in its box or in a clean, dry place.
- Never store the appliance while it is still wet or dirty.

SERVICING THE APPLIANCE

There are no user-serviceable parts in this appliance. If the unit is not operating correctly, please check the following:

- You have followed the instructions correctly.
- That the unit has been wired correctly and that the wall socket is switched on.
- That the mains power supply is ON.
- That the plug is firmly in the mains socket.

If the appliance still does not work after checking the above:

- Consult the retailer for possible repair or replacement. If the retailer fails to resolve the problem and you need to return the appliance, make sure that:
- The unit is packed carefully back into its original packaging.
- Proof of purchase is attached.
- A reason is provided for why it is being returned.

If the supply cord is damaged, it must be replaced by the manufacturer or an authorised service agent, in order to avoid any hazard. If service becomes necessary within the

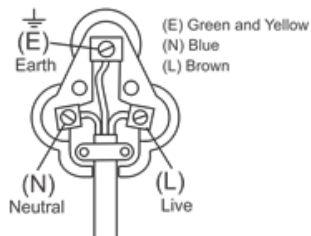
warranty period, the appliance should be returned to an approved Home of Living Brands (Pty) Limited service centre. Servicing outside the warranty period is still available, but will, however, be chargeable.

CHANGING THE PLUG

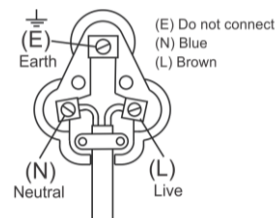
Should the need arise to change the fitted plug, follow the instructions below.

This unit is designed to operate on the stated current only. Connecting to other power sources may damage the appliance.

WARNING: If your appliance has three wires (Green/Yellow, Blue, Brown) then it **MUST** be earthed. Connect a three pin plug as shown below



If your appliance has only two wires (Blue, Brown) then it does not need to be earthed. Connect a three pin plug as shown below



* Products returned under warranty with faults due to scale will be subject to a repair charge.

PLEASE AFFIX YOUR PROOF OF PURCHASE/RECEIPT HERE
IN THE EVENT OF A CLAIM UNDER WARRANTY THIS RECEIPT MUST BE PRODUCED.

2 YEAR WARRANTY

*1-year retail | 1-year extended
warranty upon registration*
visit www.russellhobbs.co.za*

W A R R A N T Y AND EXTENDED WARRANTY

1. Home of Living Brands (Pty) Limited ("Home of Living Brands") warrants to the original purchaser of this product ("the customer") that this product will be free of defects in quality and workmanship which under normal personal, family or household use and purpose may manifest within a period of 1 (one) year from the date of purchase ("warranty period").
2. Home of Living Brands shall extend the warranty period for a further period of 1(one) year ("extended warranty period"), on condition that the purchaser registers the product on the website, within 12 months from the date of purchase of the product. The website address for registration is as follows: <http://russellhobbs.co.za/info-pages/warranty-info.aspx>. The extended warranty period only applies to products purchased on or after 1 October 2017.
3. Where the customer has purchased a product and it breaks, is defective or does not work properly for the intended purpose, the customer must notify the supplier from whom the customer bought the product ("the supplier") thereof within the warranty period or if applicable, the extended warranty period. Any claim in terms of this warranty must be supported by a proof of purchase. If proof of purchase is not available, then repair, and/or service charges may be payable by the customer to the supplier.
4. The faulty product must be taken to the supplier's service centre to exercise the warranty.
5. The supplier will refund, repair or exchange the product in terms of this warranty subject to legislative requirements. This warranty shall be valid only where (a) the customer is not the cause of the product breaking, and (b) the product has been used for the intended purpose stipulated in the product manual. The warranty does not include and will not be construed to cover products damaged as a result of disaster, misuse, tamper, abuse or any unauthorised modification or repair of the product.
6. This warranty will extend only to the product provided at the date of the purchase and not to any expendables attached or installed by the customer. In this regard any accessories supplied with the product by the supplier, may be excluded in this warranty or extended warranty (see Exclusions to Warranty and Extended Warranty document).
7. If the customer requests that the supplier repairs the product and the product breaks or fails to work properly within 3 (three) months of the repair and not as a result of misuse, tampering or modification by or on behalf of the customer, then the supplier may replace the product or pay a refund to the customer, subject to the supplier's discretion.
8. The customer may be responsible for certain costs where products returned are not in the original packaging, or if the packaging is damaged. This will be deducted from any refund paid to the customer.

HOME OF LIVING BRANDS (PTY) LTD (JOHANNESBURG)

JOHANNESBURG
CAPE TOWN
DURBAN

TEL NO. (011) 490-9600
TEL NO. (021) 552-5161
TEL NO. (031) 303-1163

www.homeoflivingbrands.com
www.russellhobbs.co.za

www.facebook.com/RussellHobbsSA

EXCLUSIONS TO WARRANTY AND EXTENDED WARRANTY

1. Any accessories supplied with the product, including but not limited to, bowls, jugs, mills or carafes made either of glass or plastic and supplied with this appliance (hereinafter referred to as "the accessory or accessories"), is warranted to be free from material and workmanship defects for the duration of the appliance warranty.
2. The accessories should give trouble free service when used in accordance with the directions described in the instruction manual. However, the accessories will be damaged if subjected to impact, and this damage is not covered by the warranty. Such impact damage can occur either from the outside (if for example it is dropped or knocked against a hard surface), or from within (if for example foreign objects are placed within the accessories and the power is switched on).
3. Should you need to replace an accessory during the warranty period; a claim for a free replacement will only be considered if the item (including all shards and broken parts) is returned to the nearest HOLB service centre for examination.
4. The remains of the accessory will be carefully examined by the relevant professionals and if it is determined (at the sole discretion of HOLB) that the damage was caused by impact, then the claim will be refused and will not be covered by the warranty or any extended warranty.
5. Any replacement part provided in terms of clause 4 above will become a chargeable item payable by the customer.