



Russell Hobbs®

WARRANTY AND INSTRUCTIONS

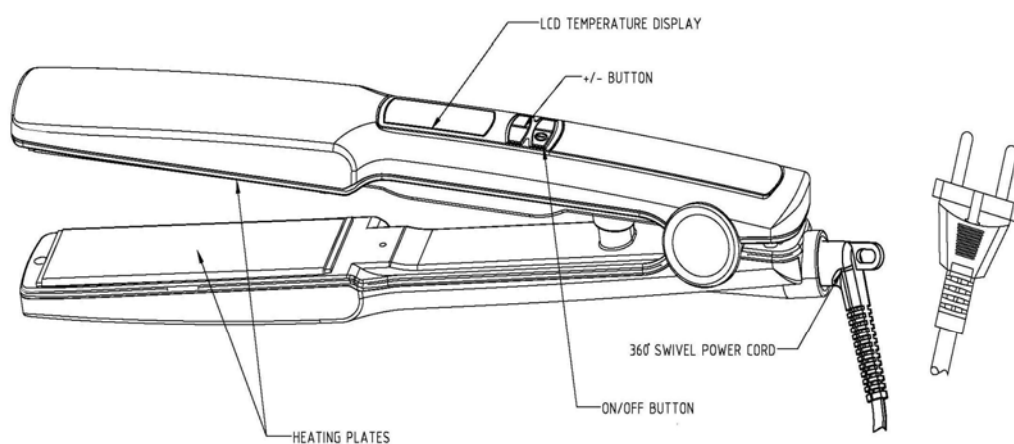


MODEL NO: RHS04
RUSSELL HOBBS CERAMIC STRAIGHTENER

Thank you for purchasing the RUSSELL HOBBS CERAMIC STRAIGHTENER (Model RHS04). This appliance has been designed to be used on dry hair as well as on towel-dried hair and the ceramic coated blades ensure that you can obtain a sleek looking style.

Please read the instructions carefully and keep them safe for future reference.

KEY DIAGRAM.



FEATURES:

- 100°C-200°C
- Ceramic heating plates
- Instant heat up
- Digital temperature control
- On/off switch
- Auto lock

OPERATION / USE

- Plug the unit into an electrical outlet
- Press the button (on/off) to turn it on, display " OFF " .

Press the button (on/off) for 2 or 3 seconds, the unit will be turned on, and then the unit heat itself up to the logic temperature (100°C)

- Use the digital control buttons (+/-) to select the desired temperature. The micrometric temperature control allows the user to choose the

appropriate temperature for each type of hair with precision.

- After use, press the button (on/off) to turn the unit off and the unplug the unit.

Also, you should press the button (set) for 3 seconds before

- Allow the unit to cool before storing.

In 45 minutes does not have any key to press down, the automatic protection will shuts off the output, enters the readiness for action, display: "OFF".

INSTRUCTIONS FOR USE

- The Straightener automatically adjusts to international voltage 100-120v / 220-240v.
- After plugging in the appliance, switch on. The power indicator will light up reminding you that the straightener is on. It will take about 1 minute for the appliance to heat up to the ideal temperature for carrying out styling.
- To make styling easier, section the hair with clips or hair-bands. Please note that these are not included with the product.
- For best results, apply any styling products prior to straightening.
- Always start at the back of the neck, working up the sides and towards the crown. Finish with the hair at the front.
- Always straighten the lower layers first.
- Take a small section of hair, pull it taut and close the straightener firmly around the hair closest to the scalp i.e. at the roots.
- Run the straightener through the entire length of hair, slowly and steadily, from the roots to the ends without stopping.
- Repeat until the desired amount of straightening or the desired style has been achieved.
- If using on damp hair, you may hear a hissing sound as the excess water evaporates through the vents and the moisture is sealed in.
- Some stylists recommend using a comb or brush on the front pieces of hair to ensure that the hair in the straightener is straight and even.
- You may find that the roots need to be briefly blow dried if you have been unable to get very close to the scalp. This is normal and can be addressed after styling.

STYLING SUGGESTIONS

- These straightening irons become very hot, especially when set to maximum. We recommend always establishing your hair type before

straightening and always test them on a strand of hair to check that the setting is appropriate for your hair.

- Not all hair types are same and therefore do not tolerate the same heat levels. As a rule of thumb, Caucasians have more delicate hair than people of other ethnical background such as Asian, African, and so on. The following diagram shows the temperature that is usually appropriate for each type of hair, However, the professional stylist should analyze each case individually, observing the thickness and health off\ the hair and based on experience, choose the most appropriate temperature.

| | |
|-------------|--------------------------|
| 160°C-170°C | Fine and delicate hair |
| 180°C-190°C | Intermediate hair |
| 200°C-210°C | Thick and resistant hair |

- For best straightening results, we advise using our hair care products, you can achieve incomparable straightening result.
- Please keep all vents and openings clear of dirt and dust. if cleaning becomes necessary, be sure to unplug the appliance a soft cloth to wipe unit clean.

SAFETY INFORMATION

- Always ensure that the power used corresponds to the one indicated on the rating label.
- **NEVER immerse the unit, plug or power cord in water or in other liquids. NEVER use the device near bath tubs, showers, in very damp places or containers full of water.**
- Always unplug the device after use.
- If it is necessary to rest the straightener while it is heating up or in use, always place the unit on a flat, heat-resistant surface.
- Do not use the device if it is defective, if it has been dropped or if the power cord is damaged. If the device breaks down and / or functions incorrectly, unplug it and do not tamper with it. For any repairs, contact an authorized technical service centre.
- If the power cord is broken, cut or damaged, immediately contact a technical service centre to have it changed.
- Do not attempt to open or dismantle any part of the appliance. Responsibility for failure cannot be accepted if this instruction has been ignored.

- Once styling is completed, unplug the appliance and leave to cool completely before packing away for storage.
- Make sure that during usage the cord does not come into contact with the hot parts of the appliance or other hot surfaces.
- Do not roll the power cord around the appliance.
- Never unplug the appliance by pulling on power cord or the appliance itself.
- Do not touch the appliance when hands or feet are wet.
- Do not use the appliance outdoors.
- This unit is intended for household use only. Industrial or Commercial use invalidates the warranty.
- Close supervision is required when the appliance is used near or by children and invalids.
- Before carrying out any cleaning or maintenance operation, unplug the appliance from the socket and leave the straightening plates to cool.
- Avoid allowing the hot plates of the straightener to come into contact with the face, neck or scalp.

IMPORTANT INFORMATION

- Ensure that your hair is clean and tangle free.
- If you normally use a heat protection or iron oil spray, this can be applied now before combing or brushing through hair to remove snags and tangles.
- The appliance has been designed so that as well as being able to be used as a dry hair straightener, it can also be used prior to blow drying on towel-dried hair. After washing and conditioning as normal, dry hair with a towel ensuring no dripping water remains in the hair.
- Only hold the appliance by the handle. Avoid touching the hot plates
- Do not scratch the surface of the plates as this will decrease the effectiveness of the ceramic coating.

SAFETY

- Please note that the straightener has a built-in safety device that switches the unit off 60 minutes after the appliance has been switched on. If this occurs, it can be reset by sliding the power switch to OFF position and then switching it on again.

CLEANING AND MAINTENANCE

- Ensure that the unit is unplugged and cool before cleaning. Clean the outside of the handle with a damp cloth.
- Wipe the ceramic plates clean of any styling product build-up.
- **Do not use any abrasive cleaning agents on the ceramic coated plates as this will damage the surface and the effectiveness of the plates. The warranty does not cover misuse.**
- Avoid wrapping the cord around the unit as this will, with time, cause damage to the power cord.

SERVICING THE APPLIANCE

There are no user serviceable parts in this appliance. If the straightener is not operating correctly, please check the following:

- You have followed the instructions correctly
- That the unit has been wired correctly and that the wall socket is switched on.
- That the mains power supply is ON.

If the appliance still does not work after checking the above:

- Consult the retailer for possible repair or replacement. If the retailer fails to resolve the problem and you need to return the appliance, make sure that:

- The unit is packed carefully back into its original packaging.
- Proof of purchase is attached.
- A reason is provided for why it is being returned.

If the supply cord is damaged, it must be replaced by the manufacturer or an authorized service agent, in order to avoid any hazard. If service becomes necessary within the warranty period, the appliance should be returned to an approved Amalgamated Appliance (Pty) Ltd service centre. Servicing outside the warranty period is still available, but will, however, be chargeable.

CHANGING THE PLUG

Should the need arise to change the fitted plug, follow the instructions below.

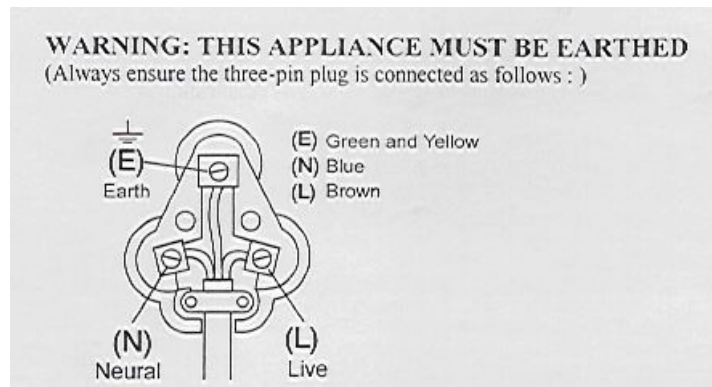
This unit is designed to operate on 220 - 240V current only. Connecting to other power sources may damage the appliance. Connect a three-pin plug as follows:

The wires in this mains lead are coloured in accordance with the following code:

Green/Yellow = Earth

Blue = Neutral

Brown = Live



**PLEASE AFFIX YOUR PROOF OF PURCHASE/RECEIPT HERE
IN THE EVENT OF A CLAIM UNDER WARRANTY THIS RECEIPT MUST BE PRODUCED.**

W A R R A N T Y

Amalgamated Appliances (Pty) Limited (“the Supplier”) warrants to the original purchaser of this product (“the Customer”) that this product will be free of defects in material and workmanship which under normal, personal, family or household purpose manifest themselves within a period of 365 days from the date of purchase or in respect of commercial or professional purposes, manifest themselves within a period of 90 days from the date of purchase. Any claim in terms of the warranty must be supported by a proof of purchase. If such proof is not available, then notwithstanding anything to the contrary herein, the Supplier’s normal charge for service and/or spares will be payable by the Customer upon collection of the repaired product. If a claim is made in terms of the aforesaid warranty within the first 7 days from the date of purchase, the faulty product will be exchanged (provided that the product is in its original packaging with all accessories). Failing return of the product within 7 days, the Supplier’s liability shall be limited on return to the Supplier of the product or parts thereof, to the replacement or repair (in the sole discretion of the Supplier, or its duly authorised service dealer) of the product to eliminate any defect in workmanship or materials found to be due exclusively to any acts or omissions on the parts of the Suppliers, of which defects the Supplier shall have been notified in writing by the Customer within the aforesaid warranty period. The warranty provided herein and the obligations of the Supplier as aforesaid are in lieu of, and the Customer waives, all other warranties, guarantees, conditions or liabilities, express or implied, arising by law or otherwise, including without limitation, any obligation of the Supplier in respect of any injury, loss or damage (direct, indirect or consequential) arising out of the use of, or inability to use, this product and whether or not occasioned by the Supplier’s negligence (gross or otherwise) or any act or omission on its part. The warranty does not include and will not be construed to cover products damaged as a result of disaster, misuse, abuse or any non-authorised modification of the product. The warranty does not include replacement of light bulbs, heater bars, paper bags or any glass, plastic bowl or jug or other expendables.

During the warranty period the product should be taken to a service centre of the Supplier or one of its duly authorised service agents. The Supplier neither assumes nor authorises any other person to assume for it, any additional liability in connection with the sale or servicing of its products.

AMALGAMATED APPLIANCES (PTY) LTD

29, HERONMERE ROAD

TEL NO. (011) 490-9000

P O BOX 39186

BOOYSENS, JOHANNESBURG, 2016

CAPE TOWN

TEL NO. (021) 535-0600

DURBAN

TEL NO. (031) 792-6000

REGISTER YOUR WARRANTY ONLINE – www.russellhobbs.co.za